

Part No: RAXXA25-S-8

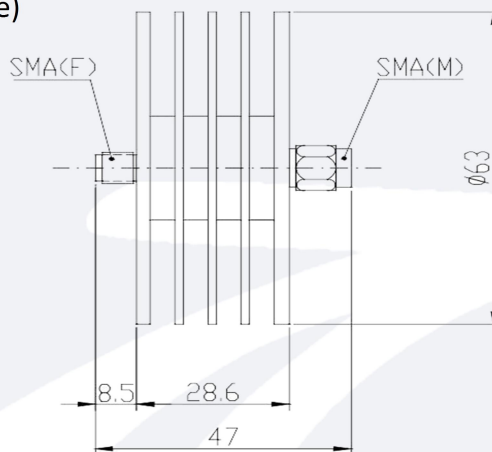
SMA Attenuators • Male to Female • DC – 8 GHz - 25 W

电气特性 ELECTRICAL

- **Frequency Range** DC – 8 GHz
- **Attenuation (dB)**
 - 10± 0.4 dB
 - 20 ± 0.5 dB
 - 30 ± 0.5 dB
 - 40 ± 0.5 dB
- **VSWR (MAX)** DC – 8 GHz..... 1.20 : 1
- **Impedance** 50 Ohms
- **RF Power Nominal** 25 Watts Average at 25°C
 PEAK: 1000 Watts
 (5 μSec Pulse Width , 2.5% Duty Cycle)

机械特性 MECHANICAL

- **Temperature Range** -55°C - +125°C
- **Connectors** Brass ,Nickel Plated
- **Connector Pins** Beryllium Copper, Gold Plated
- **Body** Black, Finned Aluminum
- **Insulators** PTFE, Virgin Electrical Grade



Unit:mm

订货信息 ORDER

Model Number : RAXXA25-S-8
 └──────────┬──────────┘
 dB Value