

## Waveguide to Coax Adapter, End Launch

WR-15/1.85mm Female/50-67GHz

Model: TL-15WCA1.85E

The TL-15WCA1.85E is end launch waveguide to coax adapters that cover the frequency range of 50 to 67 GHz. It is designed for an efficient transition between the rectangular waveguide and 1.85 mm coax connector.

### Features:

- Operating Frequency 50 to 67GHz
- Lower Insertion Loss and VSWR
- Instrumentation Grade
- DC Short Circuit

### Applications:

- Test Lab
- Instrumentations
- Sub-assemblies

### 电气特性 Electrical Characteristics:

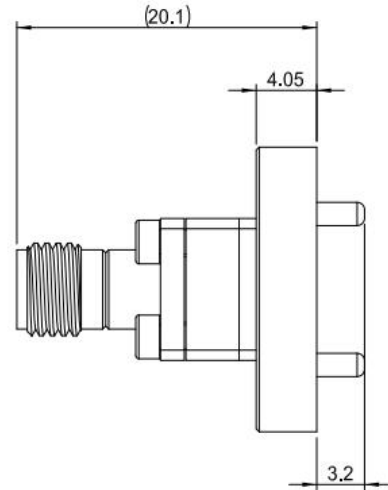
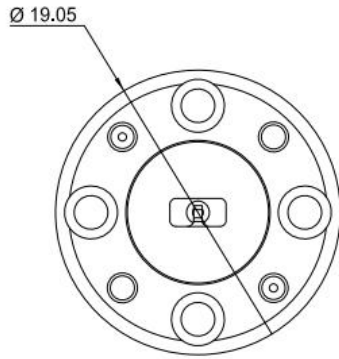
参数 Parameter	Min	Typ	Max	单位 Units
频率范围 Frequency Range	50		67	GHz
驻波 VSWR		1.3	1.5	:1
插损 Insertion Loss		0.4		dB
耐功率 Power Handling			2	W

### 环境和机械特性 Environmental And Physical Characteristics:

类型 Description	参数 Parameter	单位 Units
操作温度 Operating Temperature	-40 To +85	°C
存储温度 Storage Temperature	-40 to +85	°C
材质 Material	Aluminum	
表面处理 Finish	Gold Plated	
同轴接口 Coax Connector	1.85mm Female	
波导 Waveguide	WR-15/UG-385/U-M	

**外形图 Outline Drawing:**

Unit:mm



ESD Protection: Strictly adhere to ESD precautions to prevent electrostatic damage.

**订货信息 Ordering Information:**

标准型号 Base Number	描述 Description	版本号 Revision
TL-15WCA1.85E	Waveguide to Coax Adapter, End Launch WR15/1.85mm Female,50-67GHz	Rev.1.0