

## Coaxial Fixed Attenuator

### L29 Female/N Female/DC-3GHz

Model: RAXXA2000-N-3-F

RAXXA2000-N-3-F is a 40/50 dB coaxial attenuator that is used in millimeterwave systems and operates from DC to 3GHz.

#### Features:

- Operating Frequency DC to 3GHz
- Broadband Coverage
- Lost Cost

#### Applications:

- Test Lab
- Instrumentations
- System Integration



### 电气特性 Electrical Characteristics:

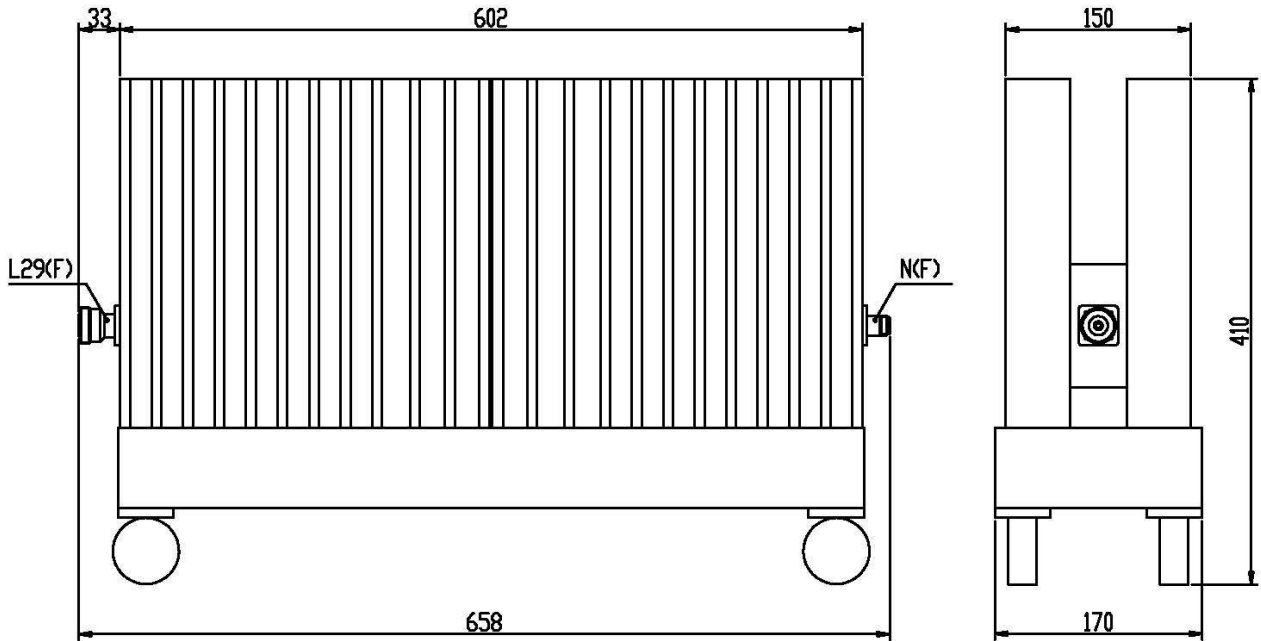
参数 Parameter	Min	Typ	Max	单位 Units
频率范围 Frequency Range	DC		3	GHz
衰减范围 Attenuation Range		40±2		dB
		50±2		dB
驻波 VSWR			1.4	:1
阻抗 Impedance		50		Ohms
射频功率值 RF Power Rating	2000 Watts Average at 25°C PEAK: 10 KWatts(5 μs pulse width, 10% duty cycle)			

\*Note: Average power linearly decreases to 200W when temperature rises to 125°C.

### 环境和机械特性 Environmental And Physical Characteristics:

类型 Description	参数 Parameter	单位 Units
操作温度 Operating Temperature	-55 To +125	°C
壳体材质 Body Material	Aluminum, black	
连接器材质 Connector Material	Nickel plated brass	
内导体 Inner Conductor	Male: silver plated brass Female: silver plated beryllium bronze	
接口 Connectors	L29 Female/N Female	
尺寸 Size	658*170*410	mm
重量 Weight	≤30	Kg

外形图 Outline Drawing: Unit:mm



ESD Protection: Strictly adhere to ESD precautions to prevent electrostatic damage.

订货信息 Ordering Information:

标准型号 Base Number	描述 Description
RA40A2000-N-3-F	Coaxial Fixed Attenuator, DC-3GHz, 40±2dB Attenuation
RA50A2000-N-3-F	Coaxial Fixed Attenuator, DC-3GHz, 50±2dB Attenuation