

Standard Gain Horn Antenna

50-75GHz/25dBi Typ, Gain/WR-15

Model: TL-15SHA25-T1

TL-15SHA25-T1 is a standard gain horn antenna that operates from 50 GHz to 75 GHz. The antenna offers 25 dBi nominal gain. The input of this antenna is a WR-15 waveguide with UG-385/U anti-cocking flange. The standard gain horn is offered for antenna range calibration purpose mainly, but it can be also used for general purpose system set ups.

Features:

- Operating Frequency 50 to 75 GHz
- Linear Polarization
- Good Impedance Match

Applications:

- Antenna Ranges
- Antenna Gain Measurements
- System Setups

电气特性 Electrical Characteristics:

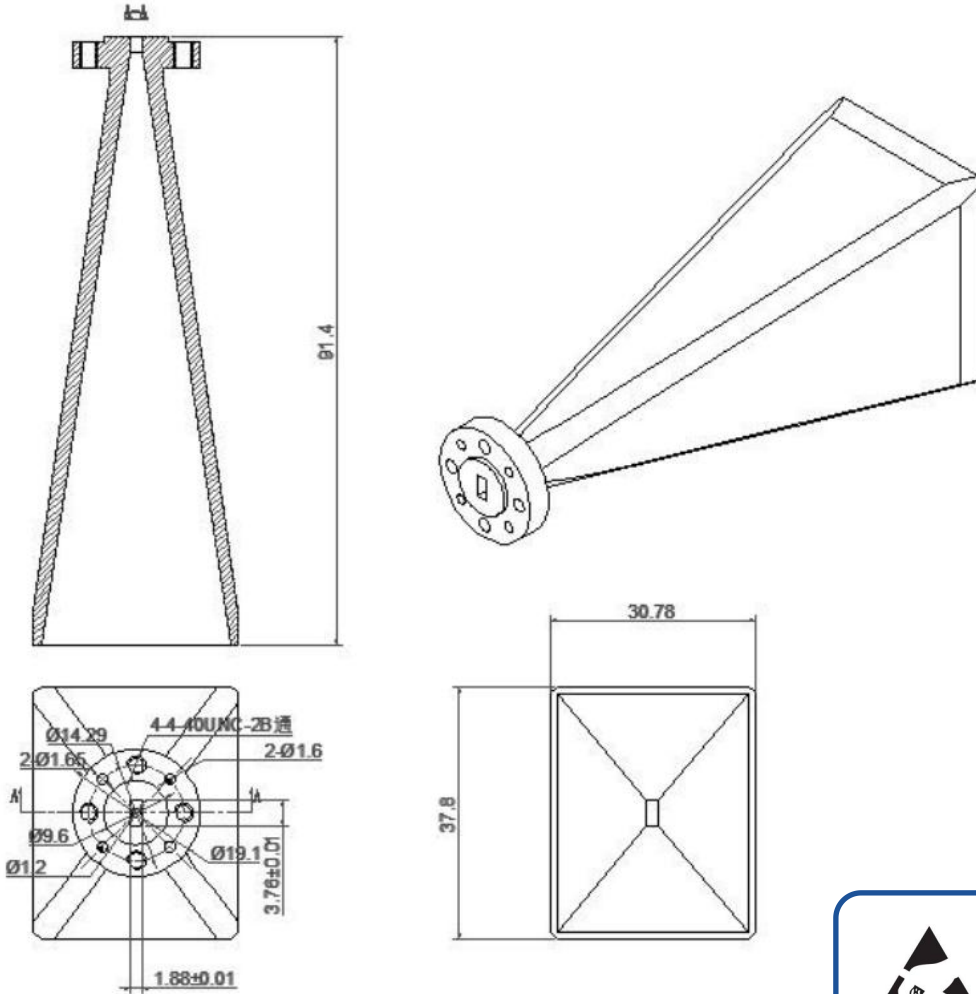
参数 Parameter	Min	Typ	Max	单位 Units
频率范围 Frequency Range	50		75	GHz
增益 Gain		25		dBi
极化方式 Polarization	Linear			
驻波 Input VSWR			1.1	:1

环境和机械特性 Environmental And Physical Characteristics:

类型 Description	参数 Parameter	单位 Units
操作温度 Operating Temperature	-40 To +85	°C
存储温度 Storage Temperature	-40 to +85	°C
材质 Material	Brass	
表面处理 Finish	Gold plating	
接口 Connectors	WR-15/UG-385/U	
尺寸 Size	30.78*37.8*91.4	mm
重量 Weight	150	g

外形图 Outline Drawing:

Unit:mm



ESD Protection: Strictly adhere to ESD precautions to prevent electrostatic damage.

订货信息 Ordering Information:

标准型号 Base Number	描述 Description	版本号 Revision
TL-15SHA25-T1	Standard Gain Horn Antenna, 50-75GHz, Gain: 25dBi Typ.	Rev.1.0