

## Standard Gain Horn Antenna

### FBP220/17.6-26.7GHz/20dBi Typ, Gain

Model:TL-42SHA20

TL-42SHA20 is a standard gain horn antenna that operates from 17.6 GHz to 26.7 GHz. The antenna offers 20 dBi nominal gain. The input of this antenna is a WR42 waveguide with FBP220 anti-cocking flange. The standard gain horn is offered for antenna range calibration purpose mainly, but it can be also used for general purpose system set ups.

#### Features:

- Operating Frequency 17.6 to 26.7 GHz
- Good Impedance Match

#### Applications:

- Antenna Ranges
- Antenna Gain Measurements
- System Setups

### 电气特性 Electrical Characteristics:

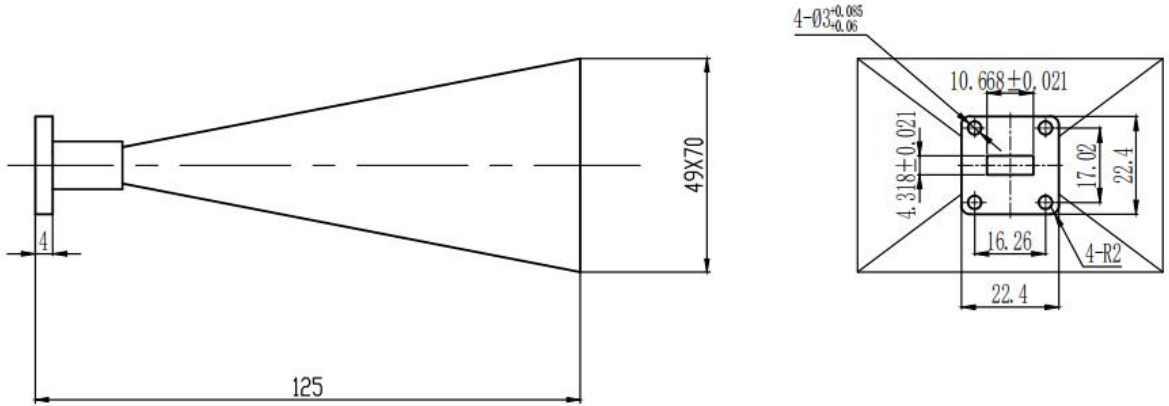
参数 Parameter	Min	Typ	Max	单位 Units
频率范围 Frequency Range	17.6		26.7	GHz
增益 Gain		20		dBi
驻波 Input VSWR			1.25	:1

### 环境和机械特性 Environmental And Physical Characteristics:

类型 Description	参数 Parameter	单位 Units
材质 Material	Silver-plated Brass	
表面处理 Finish	Spray sea gray paint	
接口 Connectors	FBP220	
尺寸 Size	125*49*70	mm

外形图 Outline Drawing:

Unit:mm



ESD Protection: Strictly adhere to ESD precautions to prevent electrostatic damage.

订货信息 Ordering Information:

标准型号 Base Number	描述 Description	版本号 Revision
TL-42SHA20	Standard Gain Horn Antenna, 17.6-26.7GHz, Gain: 20 dBi Typ.	Rev.1.0