

Dual Ridged Horn Antenna

2.92mm Female/8-40GHz/9dBi Max, Gain

Model:TL-80400DRHA9K

Features:

- Operating Frequency 8 to 40GHz
- Gain: 9dBi Min
- Linear Polarization

Applications:

- Radar Systems
- Communication Systems

电气特性 Electrical Characteristics:

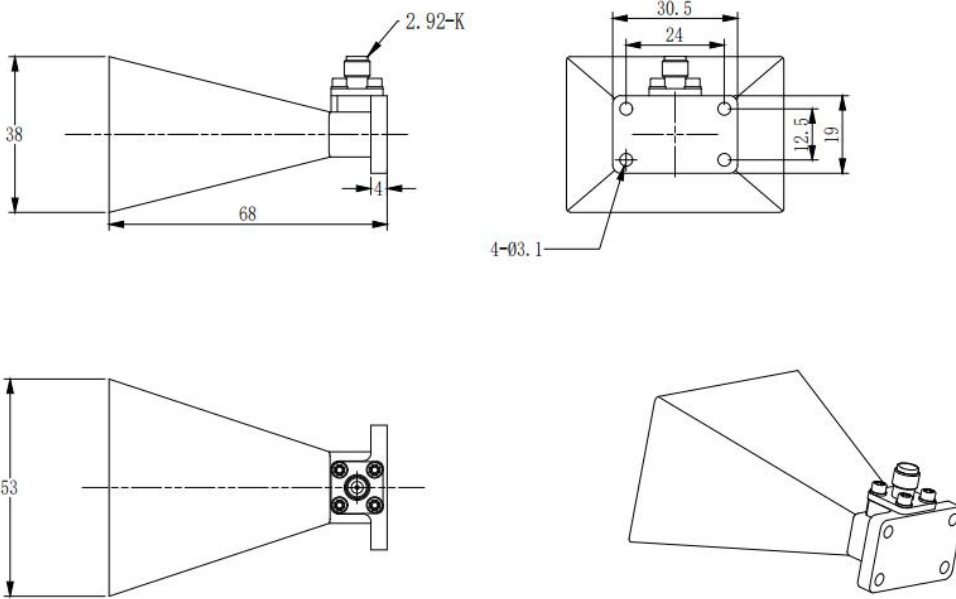

参数 Parameter	Min	Typ	Max	单位 Units
频率范围 Frequency Range	8		40	GHz
增益 Gain			9	dBi
驻波 Input VSWR			2.5	:1

机械特性 Physical Characteristics:

类型 Description	参数 Parameter	单位 Units
材质 Material	Aluminium	
表面处理 Finish	Color oxidation, Spray sea gray paint	
接口 Connectors	2.92mm Female	
尺寸 Size	68*38*53	mm

外形图 Outline Drawing:

Unit:mm

ESD Protection: Strictly adhere to ESD precautions to prevent electrostatic damage.

订货信息 Ordering Information:

标准型号 Base Number	描述 Description	版本号 Revision
TL-80400DRHA9K	Dual Ridged Horn Antenna, 8-40GHz, Gain: 9dBi Max, 2.92mm Female	Rev.1.0