

Waveguide to Coax Adapter, Right Angle WR42/2.92mm Female/18-26.5GHz

Model: TL-42WCAKR-CU

The TL-42WCAKR-CU is right angle waveguide to coax adapters that cover the frequency range of 18 to 26.5GHz. It is designed for an efficient transition between the rectangular waveguide and 2.92 mm coax connector.

Features:

- Operating Frequency 18 to 26.5GHz
- Lower Insertion Loss and VSWR
- Instrumentation Grade
- DC Short Circuit

Applications:

- Test Lab
- Instrumentations
- Sub-assemblies

电气特性 Electrical Characteristics:

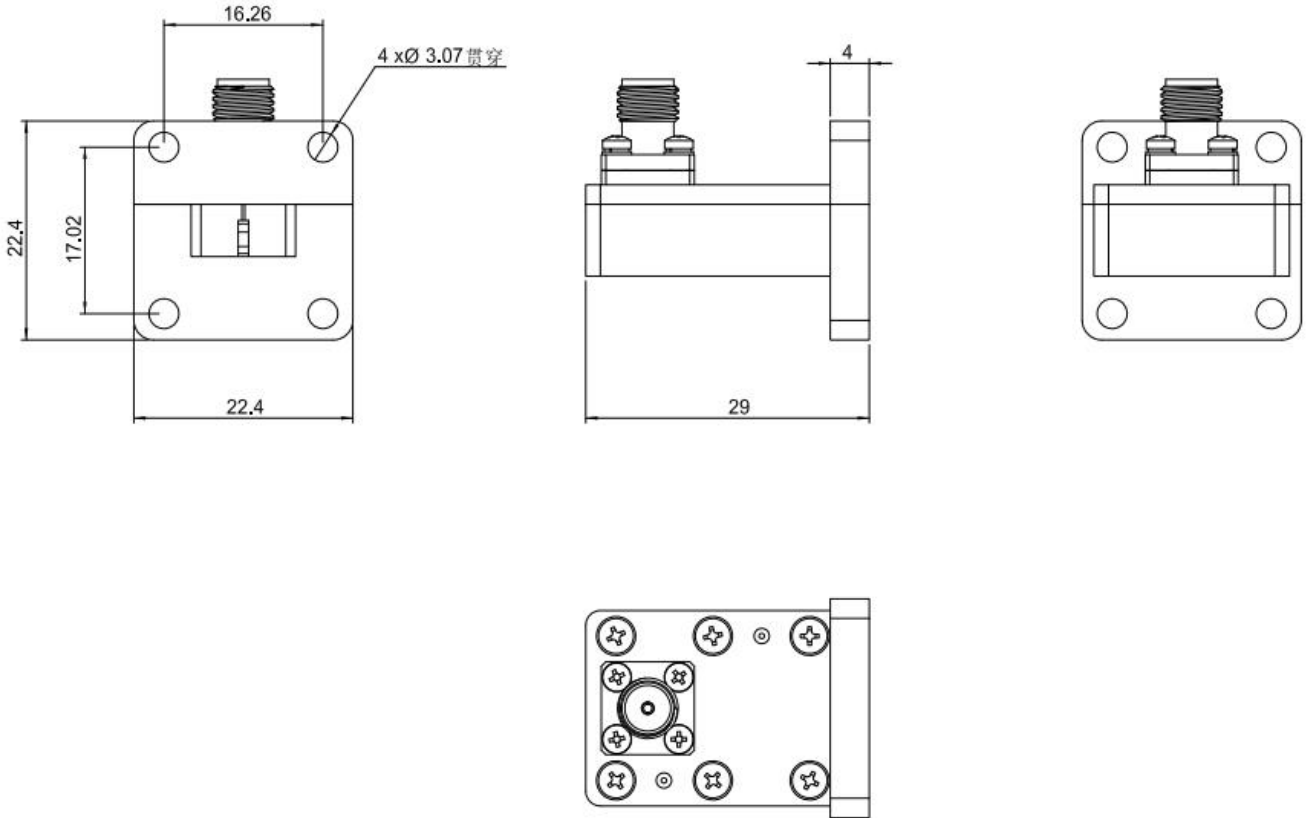

参数 Parameter	Min	Typ	Max	单位 Units
频率范围 Frequency Range	18		26.5	GHz
插损 Insertion Loss		0.3		dB
驻波 VSWR		1.3		:1

环境和机械特性 Environmental And Physical Characteristics:

类型 Description	参数 Parameter	单位 Units
材质 Material	Copper	
表面处理 Finish	Gold Plated	
同轴接口 Coax Connector	2.92mm Female	
波导 Waveguide	WR42	

外形图 Outline Drawing:

Unit:mm

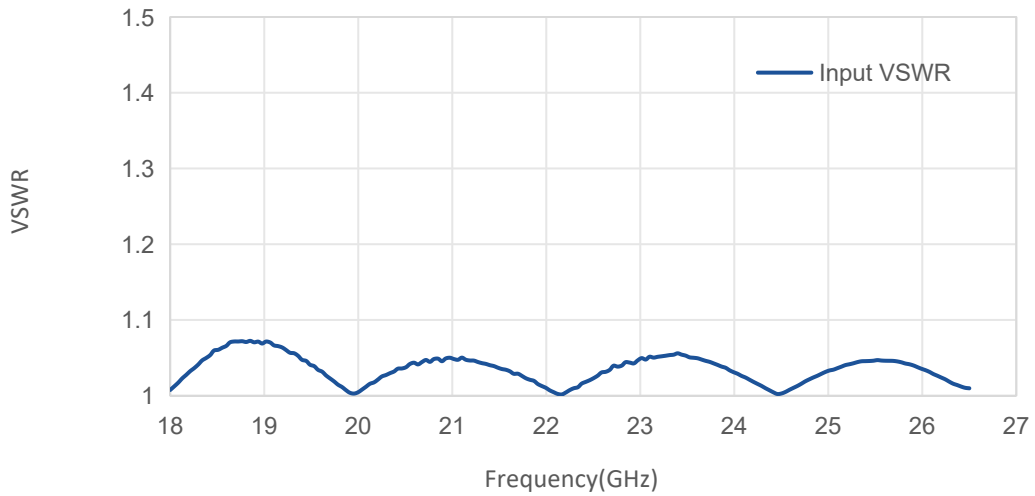
ESD Protection: Strictly adhere to ESD precautions to prevent electrostatic damage.

订货信息 Ordering Information:

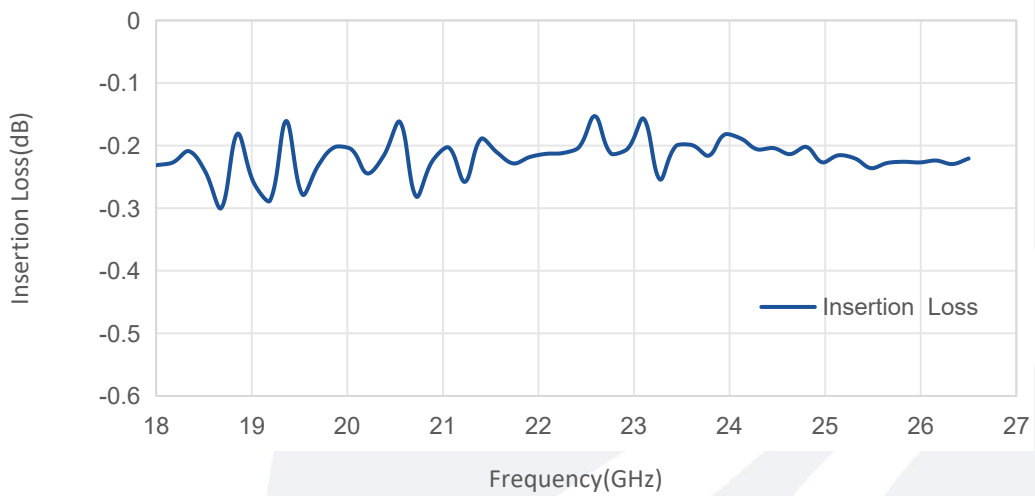
标准型号 Base Number	描述 Description	版本号 Revision
TL-42WCAKR-CU	Waveguide to Coax Adapter, Right Angle WR42/2.92mm Female,18-26.5GHz	Rev.1.0

典型曲线 Typical Performance Data:

VSWR vs Frequency



Insertion Loss vs Frequency



Note: Above data is for ref only, actual data may vary from unit to unit depending on operating environment and other factors like material lots etc.