

Broadband Horn Antenna

N Female/2-4GHz/15dBi Typ, Gain

Model:TL-2040DRHA15N

TL-2040DRHA15N is a broadband horn antenna that operates from 2 GHz to 4 GHz. The antenna offers 15 dBi nominal gain. The input of this antenna configuration offers coax adapter structure with N female. The standard gain horn is offered for antenna range calibration purpose mainly, but it can be also used for general purpose system set ups.

Features:

- Operating Frequency 2 to 4 GHz
- Gain: 15dBi Typ
- Good Impedance Match

Applications:

- Antenna Ranges
- Antenna Gain Measurements
- System Setups

电气特性 Electrical Characteristics:

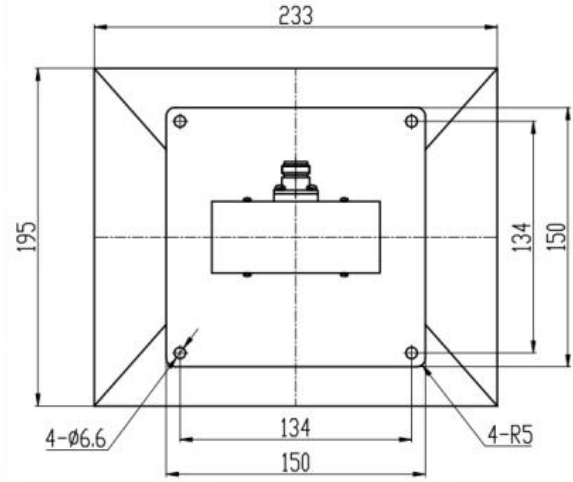
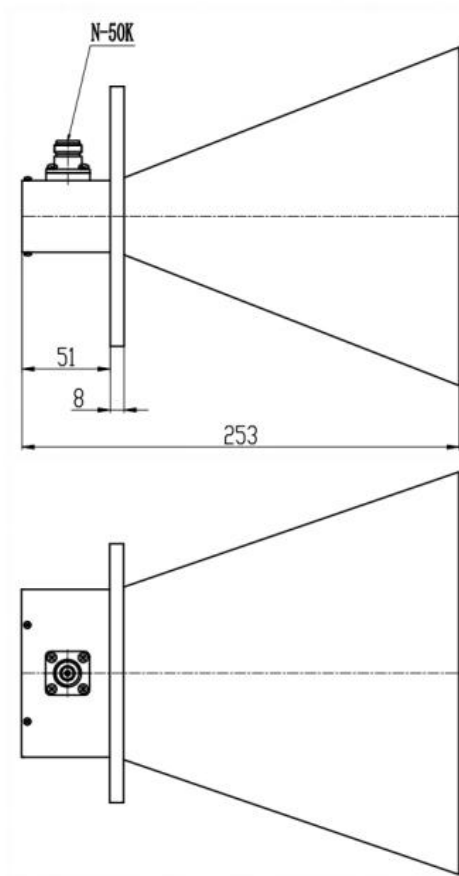
参数 Parameter	Min	Typ	Max	单位 Units
频率范围 Frequency Range	2		4	GHz
增益 Gain		15		dBi
驻波 Input VSWR			1.5	:1
耐功率 Power Handling		200		W

环境和机械特性 Environmental And Physical Characteristics:

类型 Description	参数 Parameter	单位 Units
材质 Material	Aluminium	
表面处理 Finish	Conductive oxidation, spray sea gray paint	
接口 Connectors	N Female	
尺寸 Size	233*195*253	mm

外形图 Outline Drawing:

Unit:mm



ESD Protection: Strictly adhere to ESD precautions to prevent electrostatic damage.

订货信息 Ordering Information:

标准型号 Base Number	描述 Description	版本号 Revision
TL-2040DRHA15N	Broadband Horn Antenna, 2-4GHz, Gain: 15dBi Typ.	Rev.1.0