

Flexible Ultra Low Loss Coax Cable Assembly

A40/N Male /N Male/DC-18 GHz

Model: A40-NMNM-L



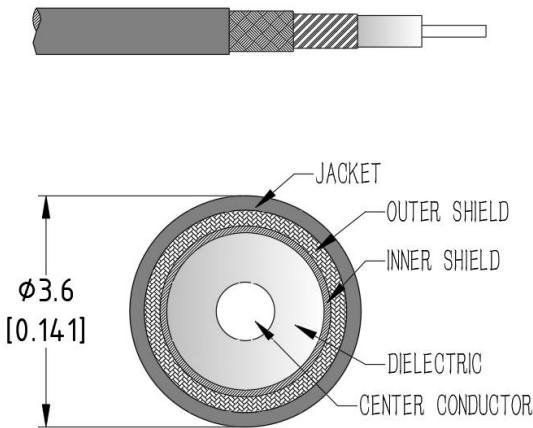
Features:

- Max Frequency 18 GHz
- VSWR max of 1.30
- Velocity of Propagation of 82%

Applications:

- Test & Measurement equipment
- Manufacturing lab
- WAN system equipment

Cable Cross Section:



Electrical Characteristics:

| Parameter | Min | Typ | Max | Units |
|---------------------------------------|-----|------------|-----|------------|
| Frequency Range | DC | | 18 | GHz |
| VSWR | | 1.25 | 1.3 | :1 |
| Velocity of propagation | | 82% | | |
| Shielding Effectiveness | 90 | | | dB |
| Capacitance | | | 81 | pF/m |
| Phase Stability Vs. Flexure@18GHz | | ± 2 | | $^{\circ}$ |
| Amplitude Stability Vs. Flexure@18GHz | | ± 0.03 | | dB |
| Phase Stability Vs. Temperature | | | 550 | PPM |

Environmental And Physical Characteristics:

| Description | Parameter | Units |
|-----------------------|-------------|--------------------|
| Cable Diameter | 3.6 | mm |
| Cable Jacket | FEP | |
| Min. Bending Radius | 18 | mm |
| Typical Flex life | 50000 | |
| Operating Temperature | -55 to +125 | $^{\circ}\text{C}$ |
| Storage Temperature | -55 to +165 | $^{\circ}\text{C}$ |

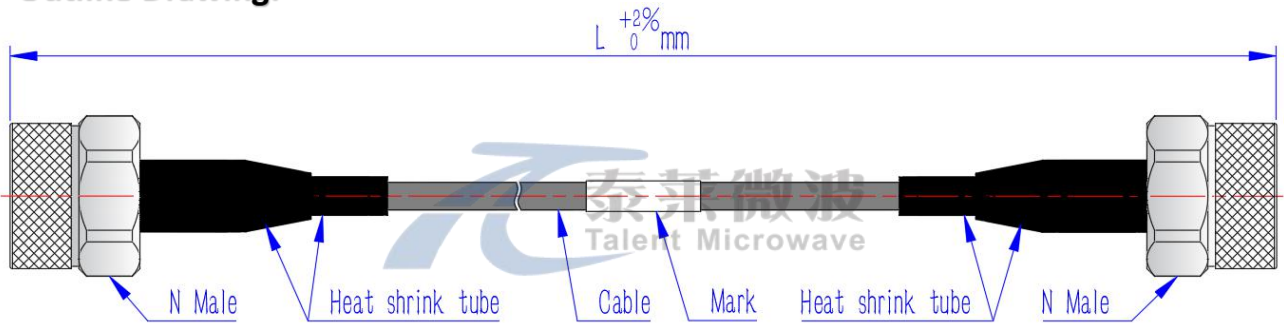
Cable Performance By Frequency

| Frequency | 2 GHz | 4 GHz | 6 GHz | 8 GHz | 10 GHz | 12 GHz | 16 GHz | 18 GHz |
|----------------------------|-------|-------|-------|-------|--------|--------|--------|--------|
| Insertion Loss (dB/m Max) | 0.53 | 0.76 | 0.94 | 1.09 | 1.22 | 1.35 | 1.57 | 1.67 |
| RF Power CW (W Max.) | 359 | 255 | 204 | 176 | 157 | 142 | 122 | 115 |

Connectors:

| Description | Connector 1 | Connector 2 |
|------------------------------|----------------------------|----------------------------|
| Type | N Straight Male | N Straight Male |
| Contact Material And Plating | Brass,Gold | Brass,Gold |
| Dielectric Type | PTFE | PTFE |
| Body Material And Plating | Passivated Stainless Steel | Passivated Stainless Steel |
| Insertion Loss (dB Max) | $0.05 * \sqrt{f_GHz}$ | $0.05 * \sqrt{f_GHz}$ |

Outline Drawing:



Ordering Information:

| Base Number | Length (Unit meters) | Armour | Phase/delay Matched |
|-------------|----------------------|---|--|
| A40-NMNM | -L | LEAVE BLANK(NOT REQUIRED) -A(默认黑色尼龙铠甲) -AS(不锈钢铠甲) -AP(PUR防水铠甲) -AT(透明铠甲) | LEAVE BLANK(NOT REQUIRED) -XXPS($\leq \pm XX$ PS) -XX°($\pm XX^\circ$) |

Typical Performance Data:

Model:A40-NMNM-1m

| Frequency | 2 GHz | | 6 GHz | | 12 GHz | | 18 GHz | |
|----------------|-------|------|-------|------|--------|------|--------|------|
| | Typ | Max | Typ | Max | Typ | Max | Typ | Max |
| Insertion Loss | 0.60 | 0.72 | 0.96 | 1.07 | 1.52 | 1.60 | 1.70 | 1.88 |
| VSWR | 1.05 | 1.1 | 1.15 | 1.2 | 1.2 | 1.25 | 1.25 | 1.3 |

