

Part No: RAXXA2000-N-3

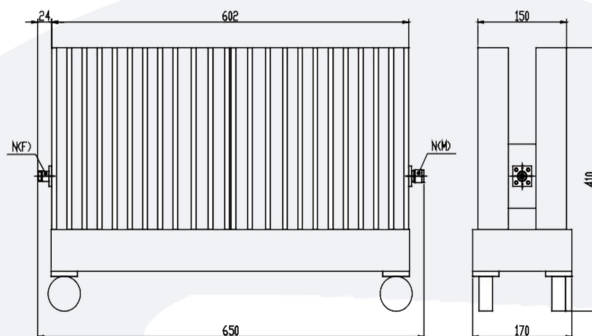
N Attenuators • Male to Female • DC – 3 GHz - 2000 W

电气特性 ELECTRICAL

- **Frequency Range** DC – 3 GHz
- **Attenuation (dB)** 40 ± 2.0 dB
50 ± 2.0 dB
- **VSWR (MAX)** DC – 3 GHz..... 1.40 : 1
- **Impedance** 50 Ohms
- **RF Power Nominal** 2000 Watts Average at 25°C
PEAK: 10000 Watts

机械特性 MECHANICAL

- **Temperature Range** -55°C - +125°C
- **Connectors** Brass ,Nickel Plated
- **Connector Pins** Beryllium Copper, Gold Plated
- **Body** Black, Aluminum
- **Insulators** PTFE, Virgin Electrical Grade



Connector: N and DIN 7/16 are optional.
Unit:mm

订货信息 ORDER

Model Number : RAXXA2000-N-3
 └──────────┬──────────┘
 dB Value