

Part No:RS4W0306-S

Power divider/Combiner 4Way SMA50Ω 0.3 to 0.6GHz

电气特性 ELECTRICAL:

工作频率 Frequency Range: 0.3-0.6GHz
 插入损耗 Insertion Loss: $\leq 0.7\text{dB}$
 驻波 VSWR: $\leq 1.30: 1$
 隔离 Isolation: $\geq 22\text{dB}$
 幅度平衡 Amplitude Balance: $\leq \pm 0.3\text{dB}$
 相位平衡 Phase Balance: $\leq \pm 5^\circ$
 耐功率 Power Handling: 30 Watt
 阻抗 Impedance: 50 OHMS

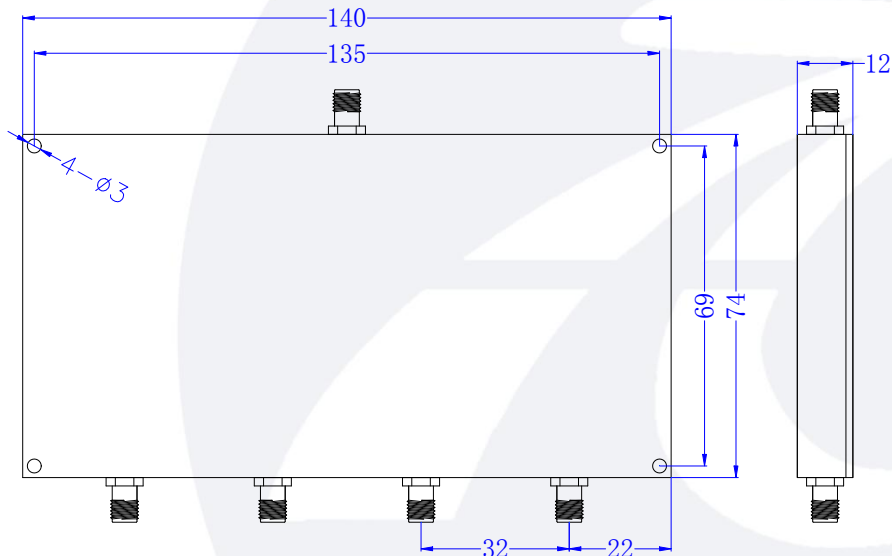


机械特性 MECHANICAL :

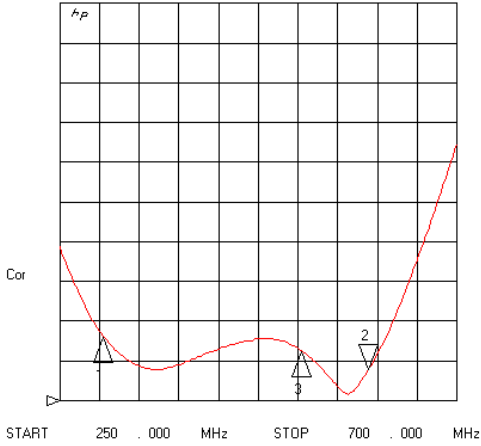
温度范围 Temperature Range: $-55^\circ\text{C} - +85^\circ\text{C}$
 接口 Connectors: SMA-Female
 相对湿度 Relative Humidity: 0 ~ 90%

外形尺寸 Outline Drawing:

Unit: mm



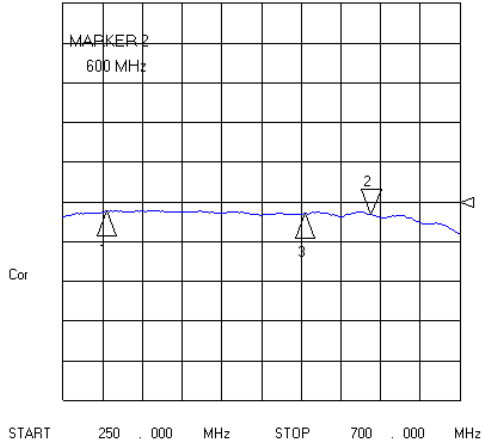
CH1 SWR 100 m / REF 1
S11 2 : 1.0800 .600 000 000 GHz



CH1 Markers
1 : 1.1608
300 .000 MHz
3 : 1.1244
524 .859 MHz

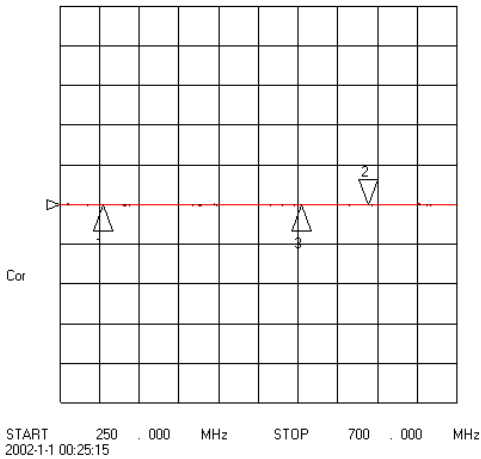
11 Apr 2019 09:32:01

CH2 LOG .7 dB / REF -6 dB
S21/M 2 : -6.2270 dB .600 000 000 GHz



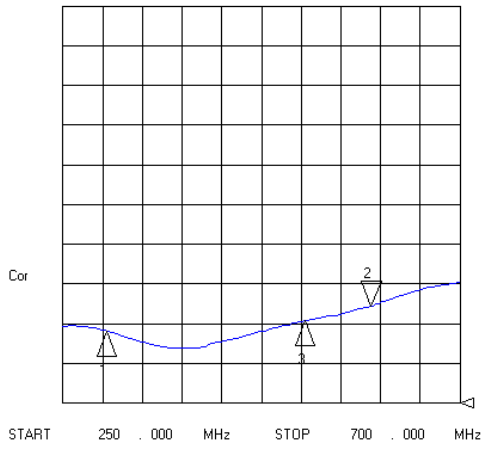
CH2 Markers
1 : -6.1570 dB
300 .000 MHz
3 : -6.2020 dB
524 .859 MHz

CH3 PHA 5 ° / REF 0 °
S12/M 2 : -22.430 m ° .600 000 000 GHz



CH3 Markers
1 : -45.166 m °
300 .000 MHz
3 : -25.873 m °
524 .859 MHz

CH4 SWR 100 m / REF 1
S22 2 : 1.2453 .600 000 000 GHz



CH4 Markers
1 : 1.1818
300 .000 MHz
3 : 1.2079
524 .859 MHz