

**Part No:RS4W0560-S**

**Power divider/Combiner 4Way SMA50Ω 0.5 to 6GHz**

**电气特性 ELECTRICAL:**

工作频率 Frequency Range: 0.5-6GHz  
 插入损耗 Insertion Loss: ≤2dB  
 驻波 VSWR: ≤1.50: 1  
 隔离 Isolation: ≥16dB  
 幅度平衡 Amplitude Balance: ≤±0.5dB  
 相位平衡 Phase Balance: ≤±4°  
 耐功率 Power Handling: 30 Watt  
 阻抗 Impedance: 50 OHMS

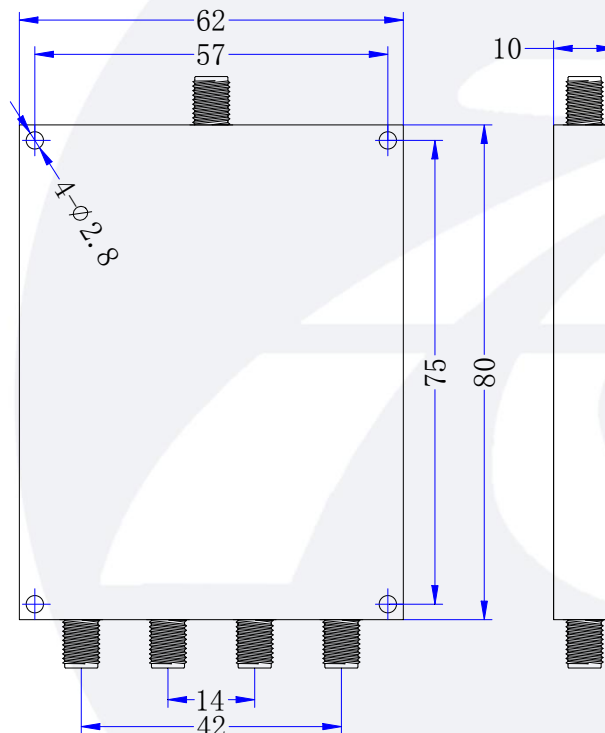


**机械特性 MECHANICAL :**

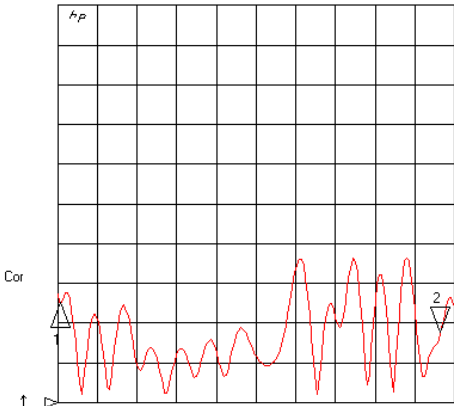
温度范围 Temperature Range: -45° C - +85° C  
 接口 Connectors: SMA-Female  
 相对湿度 Relative Humidity: 0 ~ 90%

**外形尺寸 Outline Drawing:**

Unit: mm



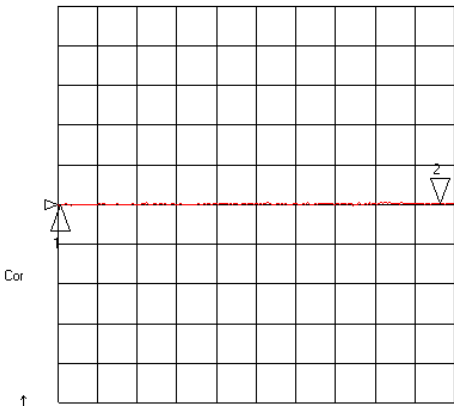
CH1 SWR 100 m / REF 1  
S11 2 : 1.1792 6.000 000 000 GHz



CH1 Markers  
1 : 1.2544  
500.000 MHz

START 450.000 MHz STOP 6200.000 MHz

CH3 PHA 4 ° / REF 0 °  
S12/M 2 : 160.68 m ° 6.000 000 000 GHz

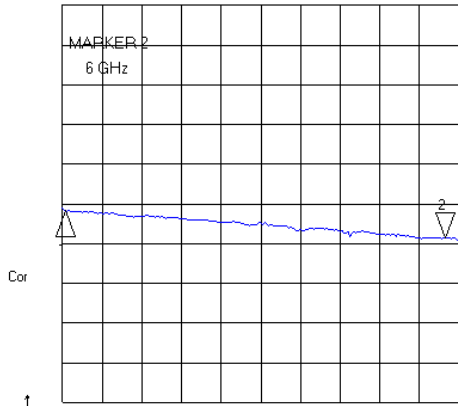


CH3 Markers  
1 : 160.718 m °  
500.000 MHz

START 450.000 MHz STOP 6200.000 MHz  
2018-3-5 14:50:27

5 Mar 2018 07:23:37

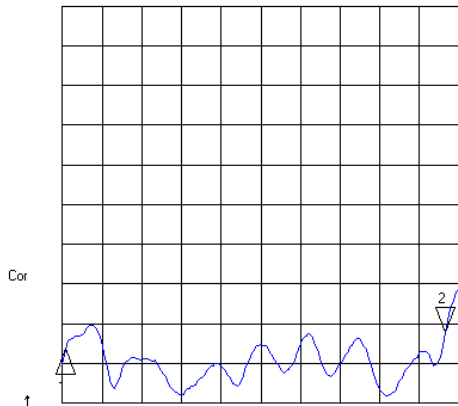
CH2 LOG 2 dB / REF -6 dB  
S21 2 : -7.7120 dB 6.000 000 000 GHz



CH2 Markers  
1 : -6.3480 dB  
500.000 MHz

START 450.000 MHz STOP 6200.000 MHz

CH4 SWR 100 m / REF 1  
S22 2 : 1.1790 6.000 000 000 GHz



CH4 Markers  
1 : 1.1388  
500.000 MHz

START 450.000 MHz STOP 6200.000 MHz