

**Part No:RS4W20180-S**

**Power divider/Combiner 4Way SMA,50Ω 2 to 18GHz**

**电气特性 Electrical:**

工作频率 Frequency Range: 2-18GHz  
 插入损耗 Insertion Loss:  $\leq 2.2\text{dB}$   
 驻波 VSWR:  $\leq 1.65: 1$   
 隔离 Isolation:  $\geq 15\text{dB}$   
 幅度平衡 Amplitude Balance:  $\leq \pm 0.6\text{dB}$   
 相位平衡 Phase Balance:  $\leq \pm 10^\circ$   
 耐功率 Power Handling: 30 Watt  
 阻抗 Impedance: 50 OHMS

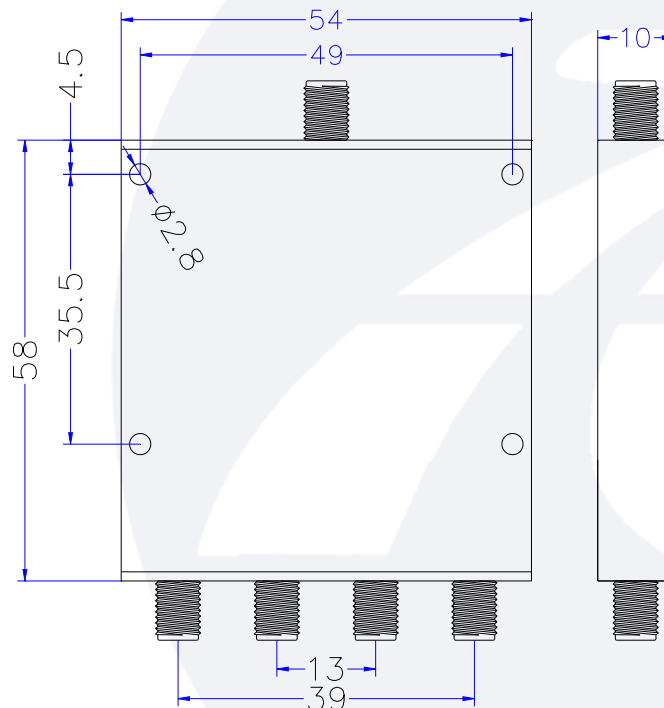


**机械特性 Mechanical:**

温度范围 Temperature Range:  $-55^\circ\text{C} - +85^\circ\text{C}$   
 接口 Connectors: SMA-Female  
 相对湿度 Relative Humidity: 0 ~ 90%

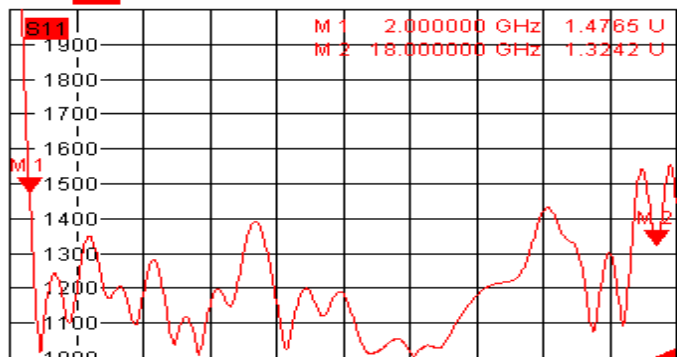
**外形尺寸 Outline Drawing:**

Unit: mm



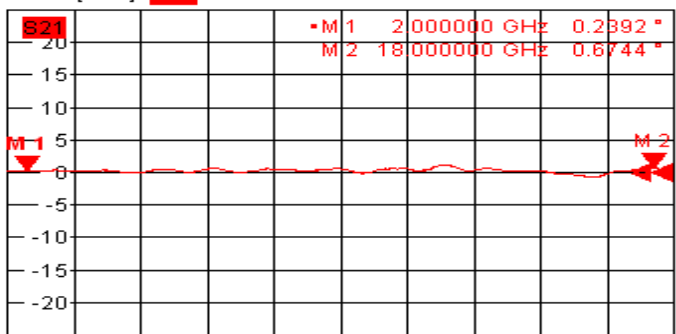


Trc1 **S11** SWR 100 mU/ Ref1 U Cal 1



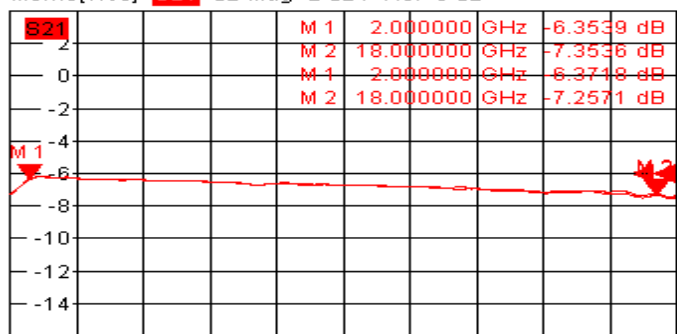
Ch1 Start 1.5 GHz Pwr 0 dBm Stop 18.5 GHz

Trc2 **S21** Phase 5° / Ref0° Cal Math 2  
Mem5[Trc2] **S21** Phase 5° / Ref0° Invisible



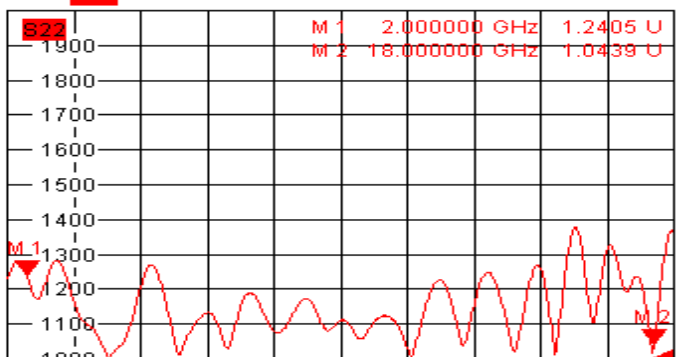
Ch1 Start 1.5 GHz Pwr 0 dBm Stop 18.5 GHz

Trc3 **S21** dB Mag 2 dB / Ref -6 dB Cal 3  
Mem6[Trc3] **S21** dB Mag 2 dB / Ref -6 dB



Ch1 Start 1.5 GHz Pwr 0 dBm Stop 18.5 GHz

Trc4 **S22** SWR 100 mU/ Ref1 U Cal 4



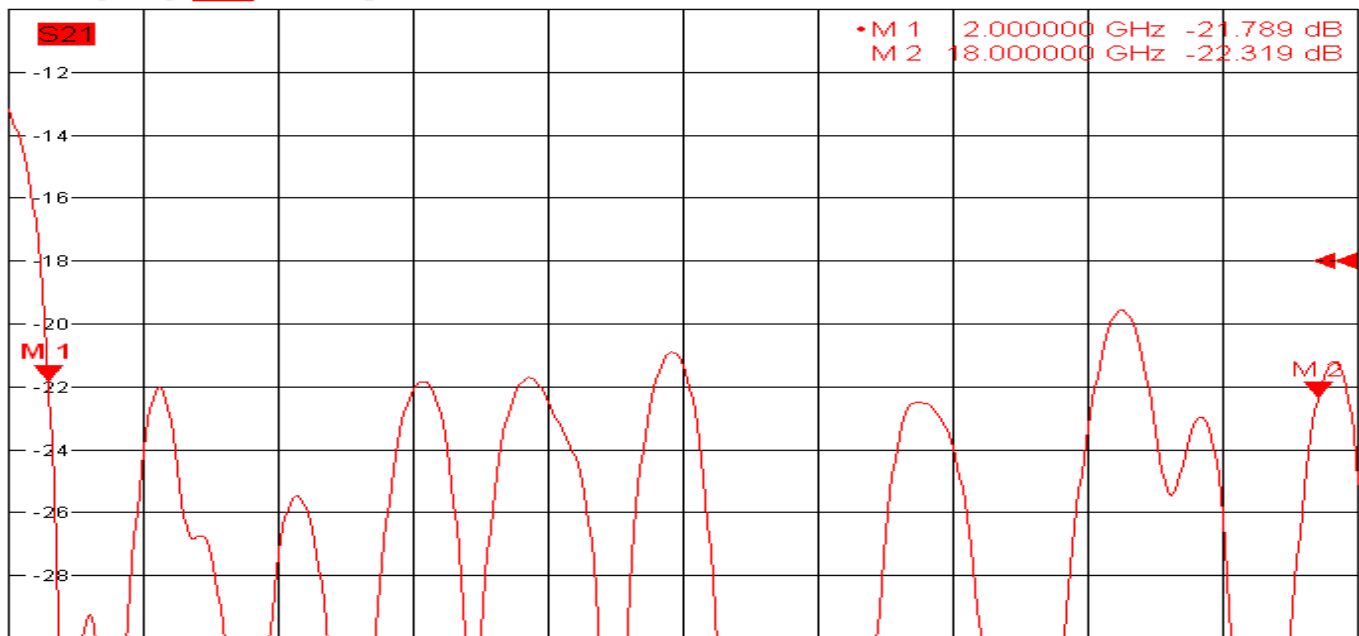
Ch1 Start 1.5 GHz Pwr 0 dBm Stop 18.5 GHz

7/18/2018, 10:01 AM



Trc2 **S21** dB Mag 2 dB / Ref -18 dB Cal Invisible  
Mem5[Trc2] **S21** dB Mag 2 dB / Ref -18 dB Invisible

2 of 4 (Max)



Ch1 Start 1.5 GHz Pwr 0 dBm Stop 18.5 GHz

7/18/2018, 10:27 AM