

Part No:RS4W80120-S

Power divider /Combiner4 Way SMA 50Ω 8 to 12GHz

电气特性 ELECTRICAL:

工作频率 Frequency Range: 8-12GHz
 插入损耗 Insertion Loss: $\leq 1.0\text{dB}$
 驻波 VSWR: $\leq 1.50: 1$
 隔离 Isolation: $\geq 18\text{dB}$
 幅度平衡 Amplitude Balance: $\leq \pm 0.5\text{dB}$
 相位平衡 Phase Balance: $\leq \pm 8^\circ$
 耐功率 Power Handling: 30 Watt
 阻抗 Impedance: 50 OHMS

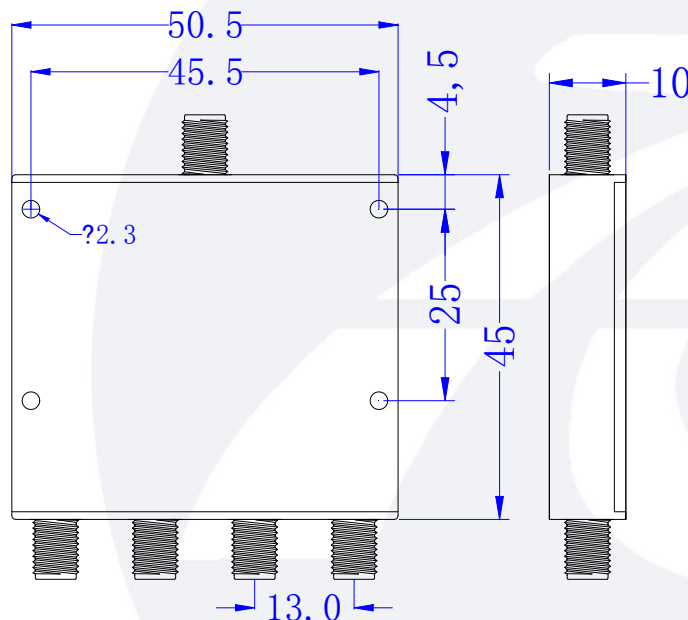


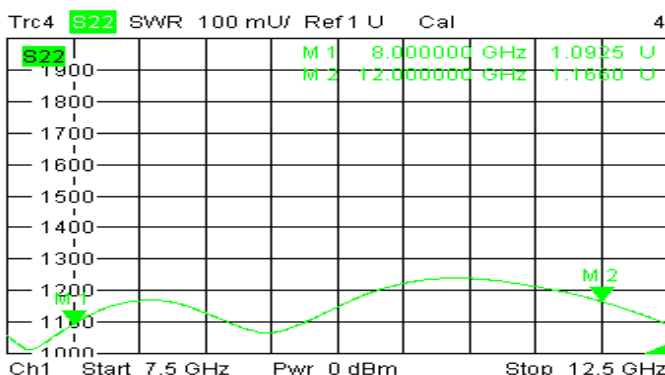
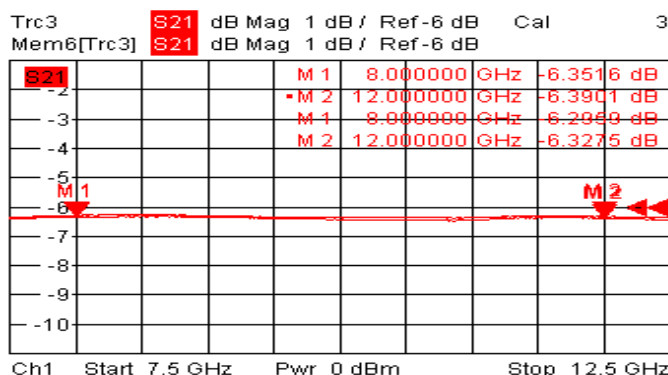
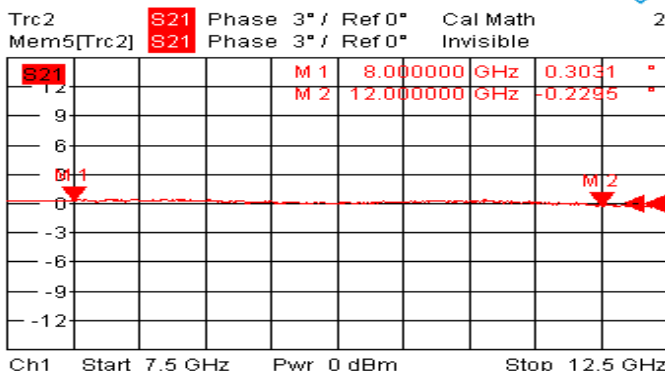
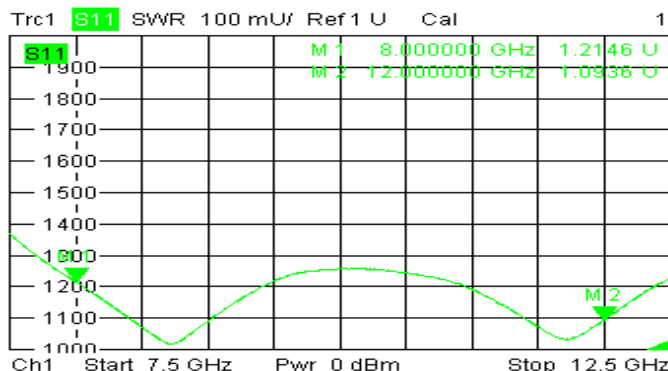
机械特性 MECHANICAL :

温度范围 Temperature Range: $-55^\circ\text{C} - +85^\circ\text{C}$
 接口 Connectors: SMA-Female
 相对湿度 Relative Humidity: 0 ~ 90%

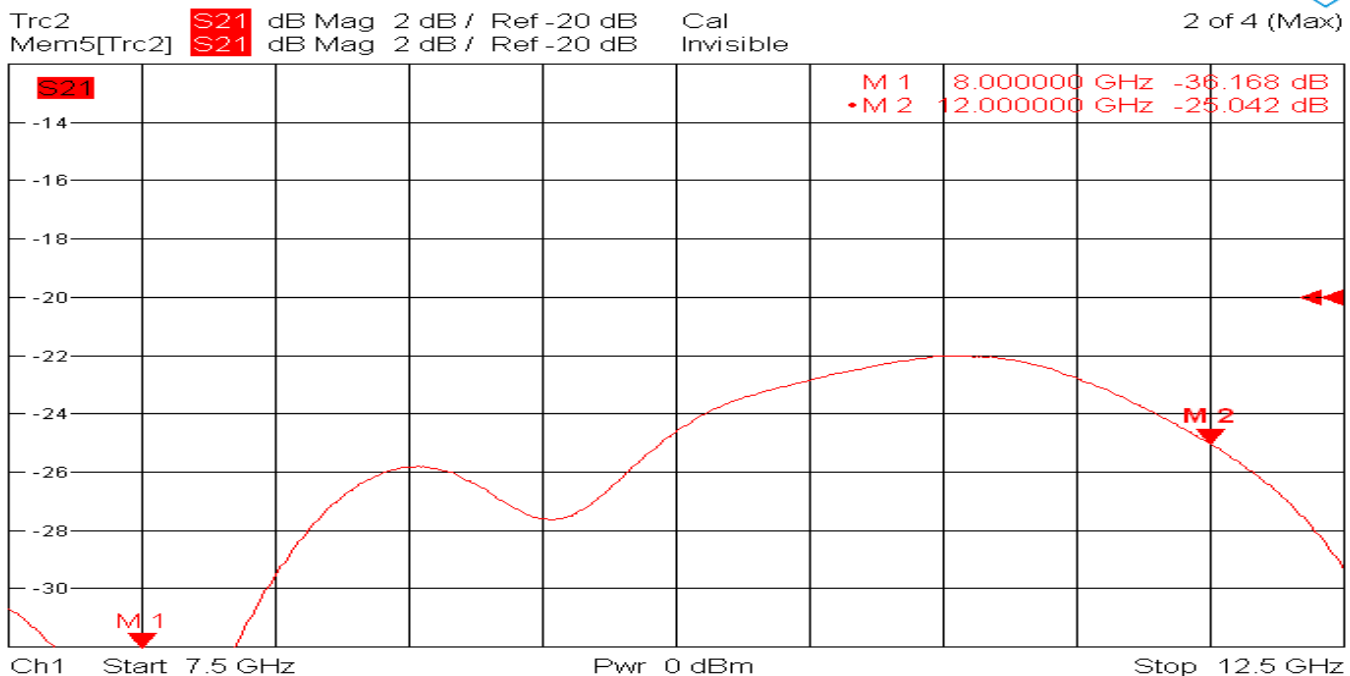
外形尺寸 Outline Drawing:

Unit: mm





2/25/2020, 5:56 PM



2/25/2020, 6:05 PM