

Part No:RS4W80124-S

Power divider /Combiner4Way SMA50Ω 8 to 12.4GHz

电气特性 ELECTRICAL:

工作频率 Frequency Range: 8-12.4GHz
 插入损耗 Insertion Loss: $\leq 0.8\text{dB}$
 驻波 VSWR: $\leq 1.50: 1$
 隔离 Isolation: $\geq 18\text{dB}$
 幅度平衡 Amplitude Balance: $\leq \pm 0.3\text{dB}$
 相位平衡 Phase Balance: $\leq \pm 5^\circ$
 耐功率 Power Handling: 10 Watt
 阻抗 Impedance: 50 OHMS

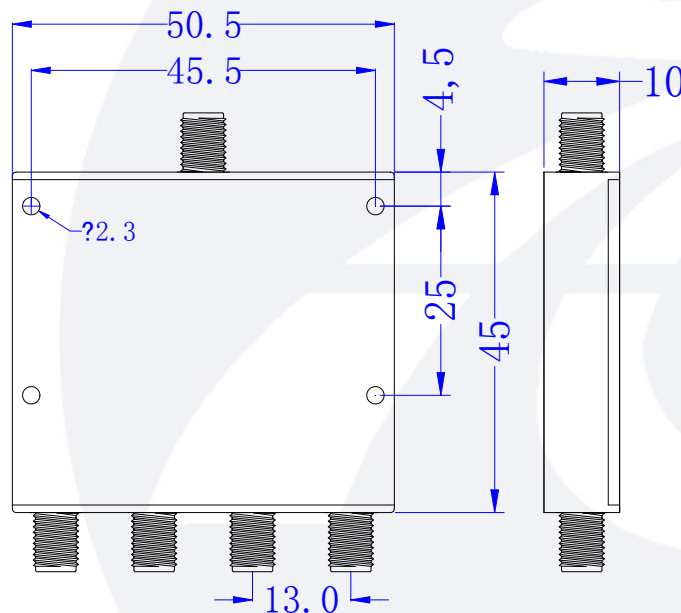


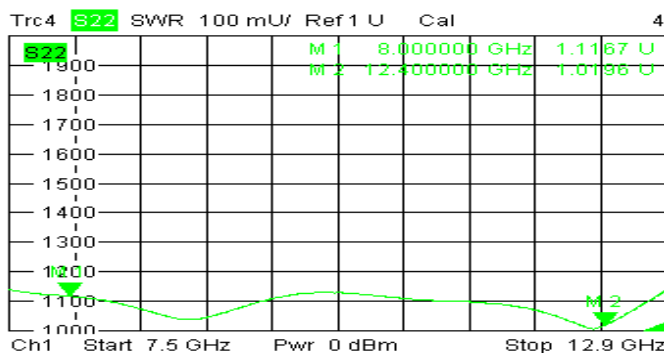
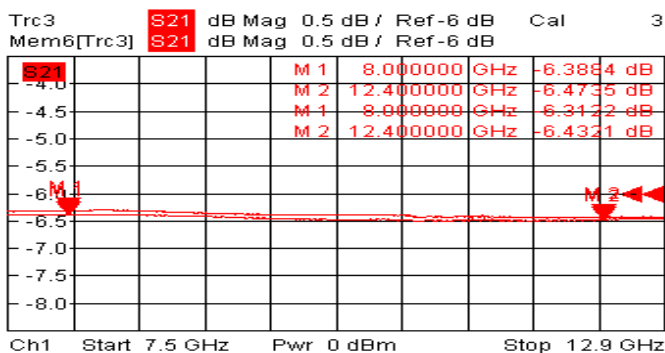
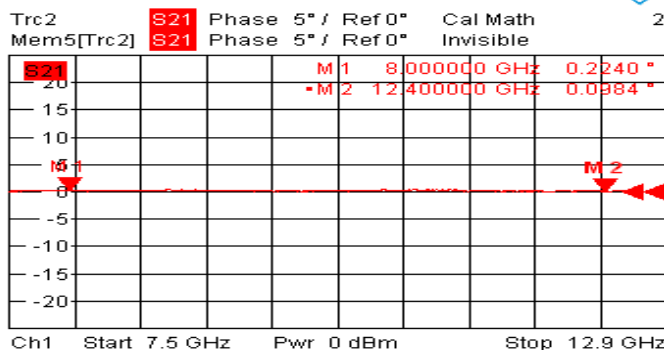
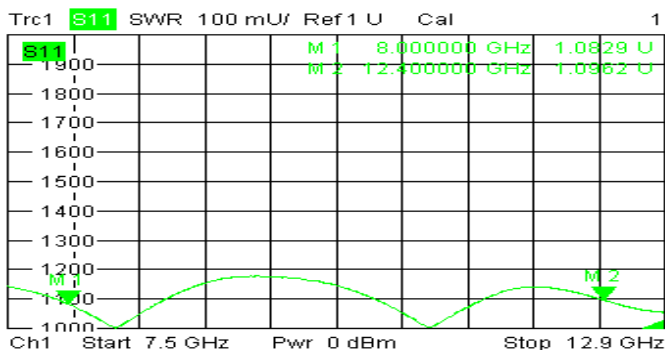
机械特性 MECHANICAL :

温度范围 Temperature Range: $-55^\circ\text{C} - +85^\circ\text{C}$
 接口 Connectors: SMA-Female
 相对湿度 Relative Humidity: 0 ~ 90%

外形尺寸 Outline Drawing:

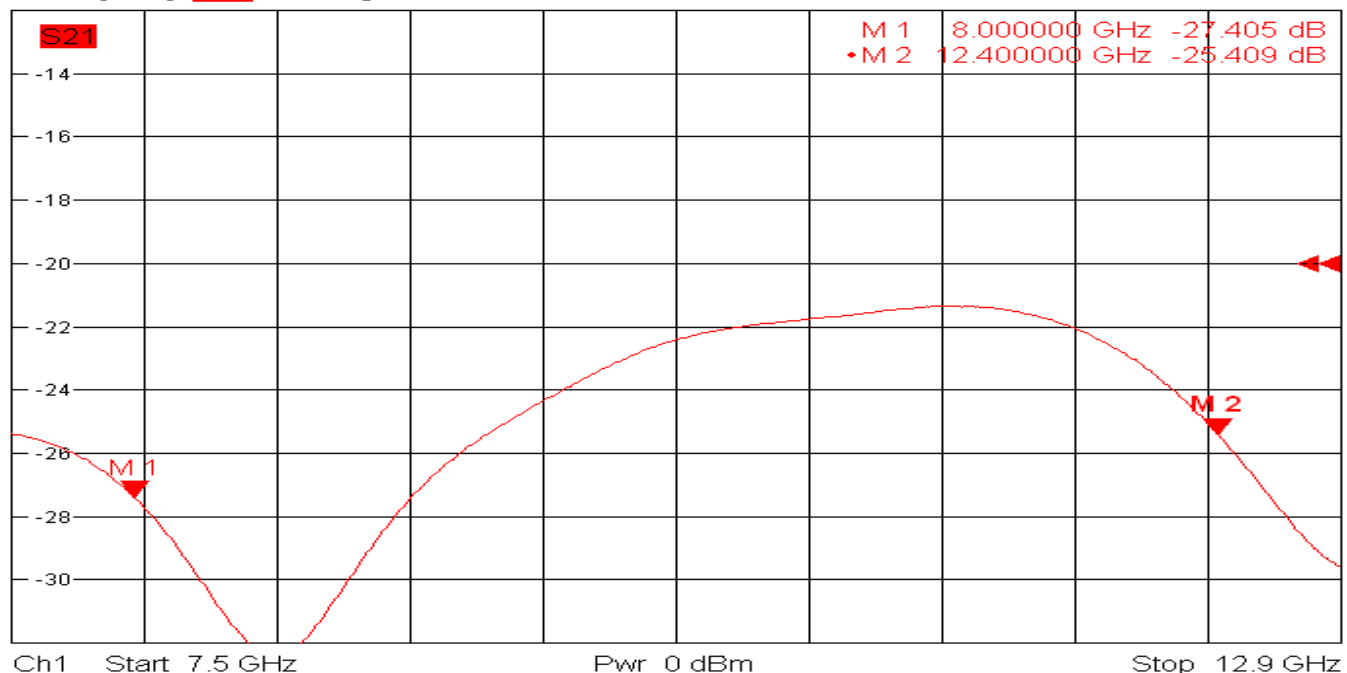
Unit: mm





11/30/2019, 5:37 PM

Trc2 **S21** dB Mag 2 dB / Ref -20 dB Cal 2 of 4 (Max)
Mem5[Trc2] **S21** dB Mag 2 dB / Ref -20 dB Invisible



11/30/2019, 5:41 PM