

**Model:TLPA18G40G-30-20**
**Power Amplifier**
**18-40GHz,Gain:31dB Typ, NF:3dbm Typ**
**Feature:**

- Ultra Wide Band: 18-40GHz
- Gain: 31dB Typ
- Psat Output Power: 23 dBm Typ
- Good Power and Gain Flatness
- 50 Ohm Matched Input / Output

**电气特性 Electrical:**

参数Parameter	Min.	Typ.	Max.	单位Units
频率范围 Frequency range	18-40			GHz
增益 Gain	30	31		dB
增益平坦度 Gain Flatness		±2.5	±2	dB
噪声系数 Noise Figure		3.0	4.5	
饱和输出功率 Psat	21	23		dBm
输入驻波 Input VSWR		1.8	2.0	:1
输出驻波 Output VSWR		1.8	2.0	:1
直流电压 DC Voltage	+9-15			V DC
直流电流 DC Supply Current	550			mA
阻抗 Impedance				Ohms

**机械特性 Mechanical :**

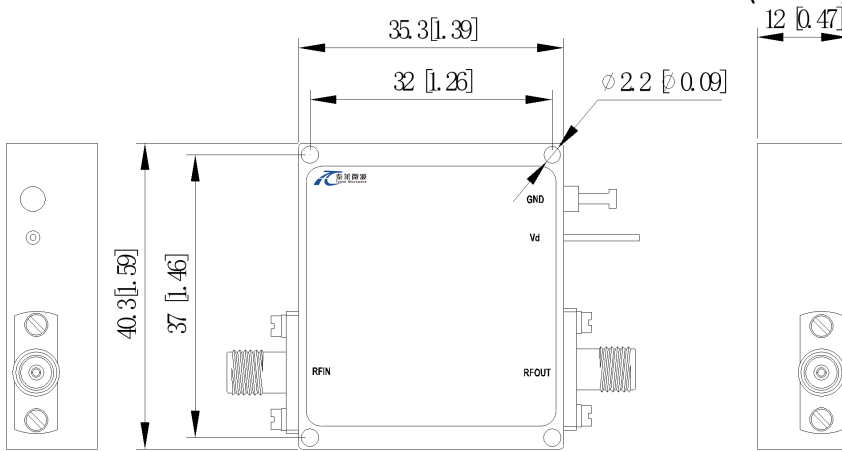
参数Parameter	指标 Value	单位Units
输入输出接Input /Output Connector	2.92mm-Female	
直流偏置 Bias	Solder Pin	
尺寸 Size	40X35X12mm	mm
重量 Weight	50	g


**绝对最大值 Absolute Maximum Ratings:**

参数Parameter	指标 Value
供电偏置电压 Supply Bias Voltage	
输入功率 RF INPUT POWER	-5 dbm
ESD灵敏度 ESD sensitivity (HBm)	Class 0, passed 150V

外形尺寸 Outline Drawing:

Unit: mm(inches)



OBSERVE PRECAUTIONS  
ELECTROSTATIC SENSITIVE  
DEVICES

温度环境 Environmental Conditions:

参数Parameter	Min.	Typ.	Max.	单位Units
操作温度 Operating Temperature	-45		+85	°C
存储温度 Non-operating Temperature	-55		+125	°C
相对湿度 Relative humidity	100%RH at 35°C, 95%RH at 40°C			%
海拔 Altitude	50,000			feet
震动 Shock / Vibration(MIL-STD-810F)	20G for 11msc half sin wave,3 axis both directions/25g rms(15 degree 2KHz) endurance,1 hour per axis			
冲击 Shock(non operating)	20G for 11msc half sin wave,3 axis both directions			

订货信息 Ordering Information:

标准型号 Part Number	描述 Description	版本号Revision
TLPA18G40G-30-20	Power amplifier 18-40GHz, Gain:31dB, 9-15V DC, 2.92mm-Female	Rev.1.1