

Part No:RS4W10180-S

Power divider/Combiner 4Way SMA50Ω 1 to 18GHz

电气特性 ELECTRICAL:

工作频率 Frequency Range: 1-18GHz
 插入损耗 Insertion Loss: $\leq 2.8\text{dB}$
 驻波 VSWR: Input : $\leq 1.65:1$
 Output: $\leq 1.5:1$
 隔离 Isolation: $\geq 16\text{dB}$
 幅度平衡 Amplitude Balance: $\leq \pm 0.5\text{dB}$
 相位平衡 Phase Balance: $\leq \pm 6^\circ$
 耐功率 Power Handling: 35 Watt
 阻抗 Impedance: 50 OHMS

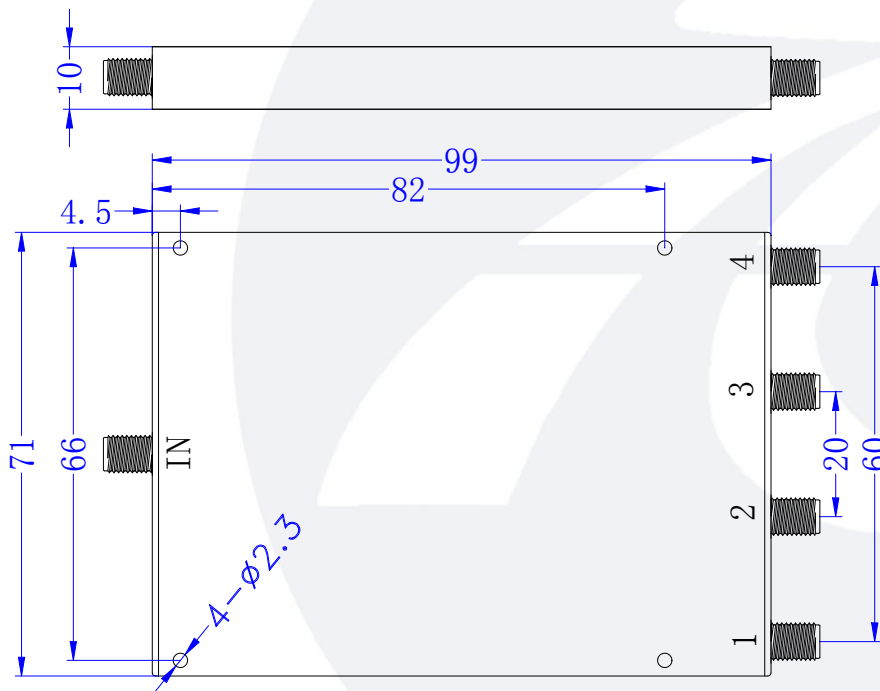


机械特性 MECHANICAL :

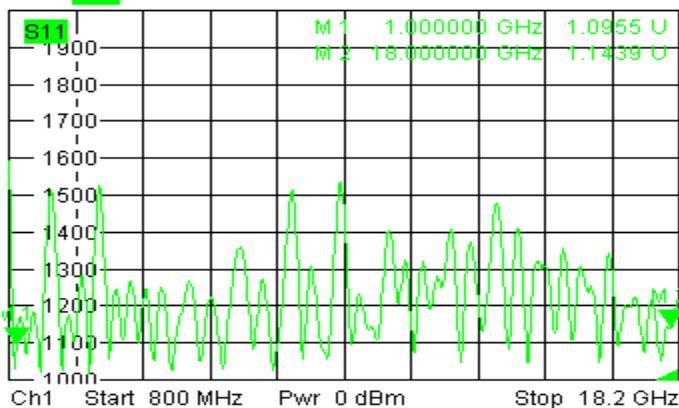
温度范围 Temperature Range: $-55^\circ\text{C} - +85^\circ\text{C}$
 接口 Connectors: SMA-Female
 相对湿度 Relative Humidity: 0 ~ 90%

外形尺寸 Outline Drawing:

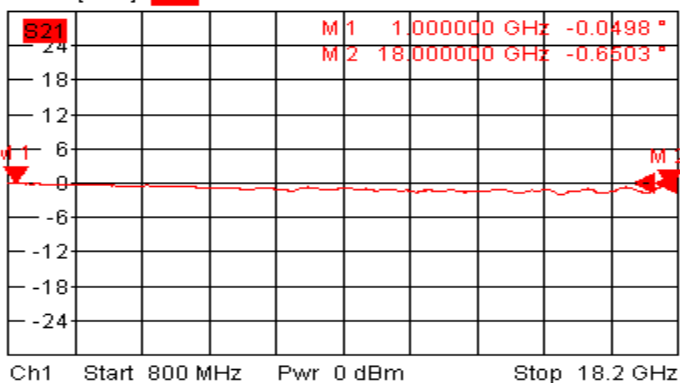
Unit: mm



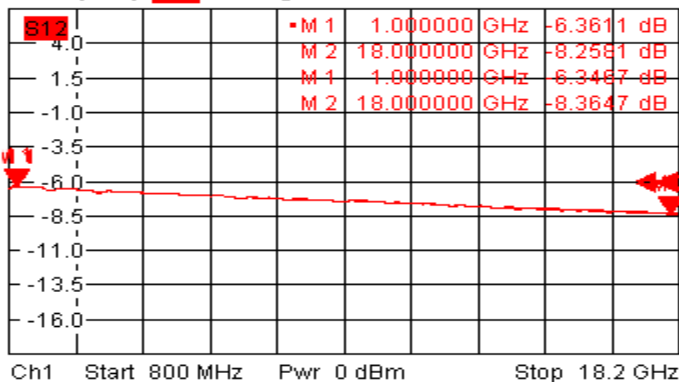
Trc1 **S11** SWR 100 mU/ Ref1 U Cal 1



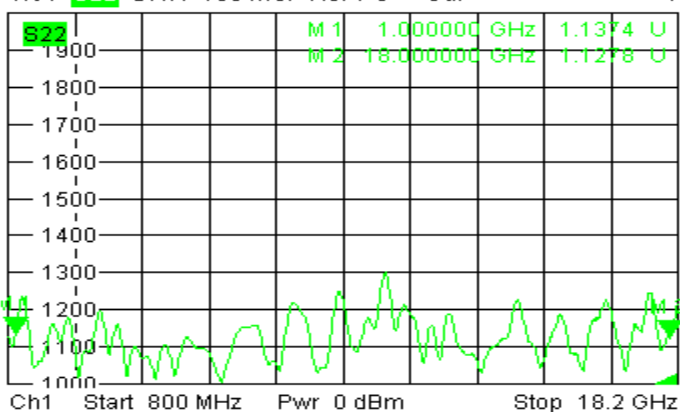
Trc2 **S21** Phase 6° / Ref0° Cal Math 2
Mem5[Trc2] **S21** Phase 6° / Ref0° Invisible



Trc3 **S12** dB Mag 2.5 dB / Ref -6 dB Cal 3
Mem6[Trc3] **S12** dB Mag 2.5 dB / Ref -6 dB



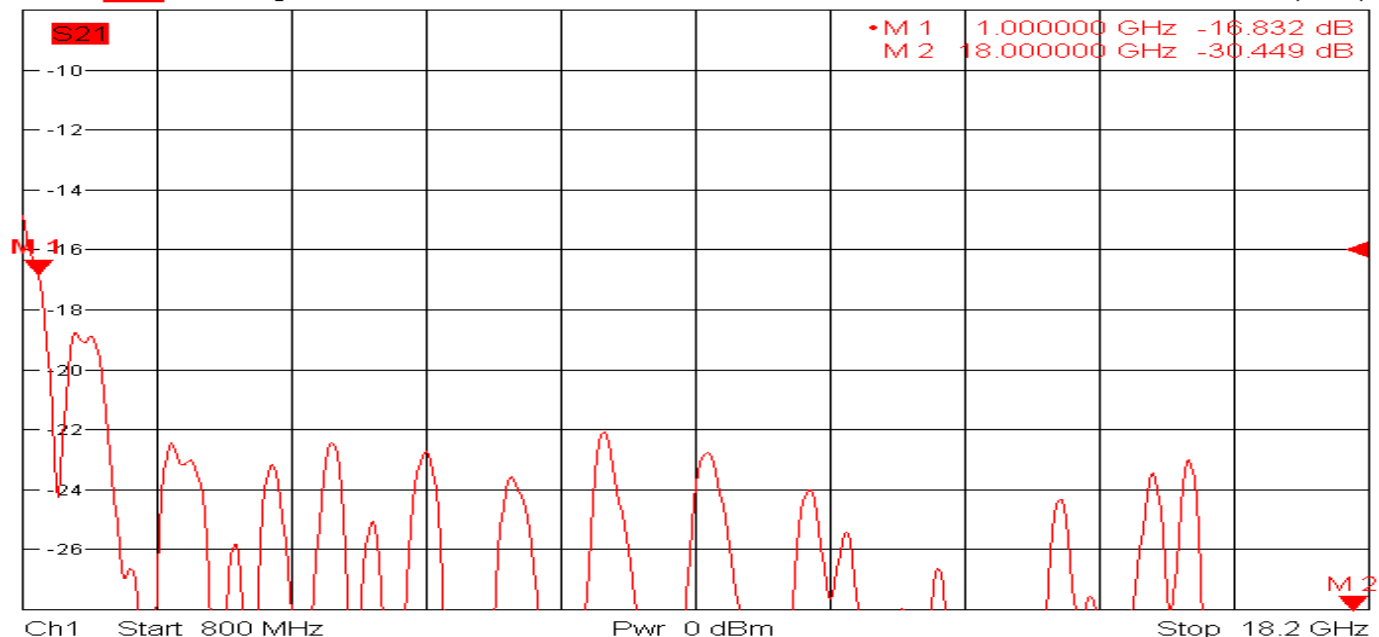
Trc4 **S22** SWR 100 mU/ Ref1 U Cal 4



1/14/2019, 10:07 AM

Trc2 **S21** dB Mag 2 dB / Ref -16 dB Cal

2 of 4 (Max)



1/14/2019, 10:42 AM