

**Model: TLSP4T0.5G40GA**
**Absorption, Broadband PIN Switch  
 0.5-40 GHz, SP4T, 2.92mm**
**Feature:**

- Ultra Wide Band: 0.5-40 GHz
- Low Insertion Loss: 4.5 dB
- Power Handling : 23 dBm
- High Isolation
- Switch Type: Absorption

**电气特性 Electrical:**

参数Parameter	Min.	Typ.	Max.	单位Units
频率范围 Frequency range		0.5-40		GHz
插损 Insertion Loss		4.5		dB
隔离 Isolation		57		dB
切换速度 Switch Speed		50	80	ns
输入驻波 Input VSWR		2.5		:1
输出驻波 Output VSWR		2.5		:1
耐功率 Power Handling			23	dBm
直流电压 DC Voltage		+/-5		V DC
直流电流 DC Supply Current		150/50		mA
控制逻辑电平 Control Logic TTL		0/+5		V
阻抗 Impedance		50		Ohms

**机械特性 Mechanical :**

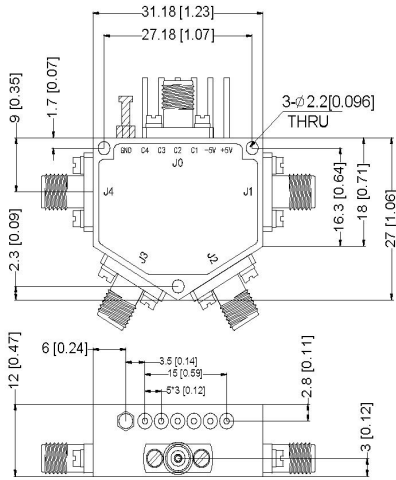
参数Parameter	指标 Value	单位Units
输入输出接口 Input /Output Connector	2.92mm Female	
直流控制接口 Control Bias	Welding pin	
尺寸 Size	-	mm
重量 Weight	TBD	g

**绝对最大值 Absolute Maximum Ratings:**

参数Parameter	指标 Value
供电偏置电压 Supply Bias Voltage	+/-10%
输入功率 RF Input Power	23 dBm
ESD灵敏度 ESD sensitivity (HBm)	Class 0, passed 150V

**外形尺寸 Outline Drawing:**

Unit: mm(Inches)



TTL Control Voltages&VDD	
Stage	Bias Condition
VDD	+5V (±10%)
VEE	-5V (±10%)
Low	0 ~ 0.8Vdc
High	2.8 ~ +5.0Vdc

真值表 Truth Table				
TTL Control Input				Signal Path State
C4	C3	C2	C1	
1	1	1	0	J0-J1
1	1	0	1	J0-J2
1	0	1	1	J0-J3
0	1	1	1	J0-J4

**温度环境 Environmental Conditions:**

参数Parameter	Min.	Typ.	Max.	单位Units
操作温度 Operating Temperature	-45		+85	°C
存储温度 Non-operating Temperature	-55		+125	°C
相对湿度 Relative humidity		95		%
海拔 Altitude	50,000			feet
震动 Shock / Vibration(MIL-STD-810F)	25g rms (15 degree 2KHz) endurance, 1 hour per axis			
冲击 Shock(non operating)	20G for 11msc half sin wave,3 axis both directions			

**订货信息 Ordering Information:**

标准型号 Part Number	描述 Description	版本号Revision
TLSP4T0.5G40GA	Absorption,Broadband PIN Switch 0.5-40 GHz,SP4T,2.92mm	Rev.1.1