

Model:TAXXA2-SSMP-18-Cryo

**Cryogenic Coax Attenuators
DC-18GHz,2W,SSMP, Non-Magnetic**

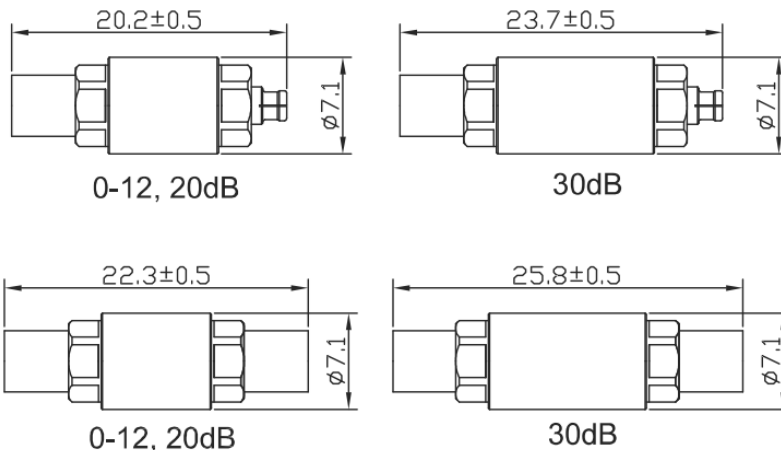
Feature:

- Frequency: DC to 18 GHz
- Max Power: 2W
- Capable of operation at 10 mK
- Non-Magnetic
- 50 Ohm Matched Input / Output

电气特性 Electrical:

参数Parameter		Min.	Typ.	Max.	单位Units
频率范围 Frequency range		DC-18			GHz
标准衰减值 Standard dB Values		0~10/12/15/20/30dB			dB
衰减精度 Attenuation Accuracy	0dB			+0/-0.4	dB
	1-6dB			±0.6	
	10-20dB			±1.2	
	30dB			±1.5	
驻波 VSWR	DC-4GHz			1.15	:1
	4-12.4GHz			1.25	
	12.4-18GHz			1.35	
	12.4-18GHz(0dB Only)			1.45	
输入功率 Input Power				2	W
阻抗 Impedance		50			Ohms

外形尺寸Outline Drawing:



机械特性 Mechanical :

参数Parameter	指标 Value	单位Units
输入输出接口 Input /Output Connector	SSMP	
外壳材质 Case Material	BeCu	
表面 Finish	Gold Plated	
电阻材料 Resistor Material	Proprietary Thin Film	

温度环境 Environmental Conditions:

参数Parameter	Min.	Typ.	Max.	单位Units
操作温度 Operating Temperature	10mK		+85	°C
存储温度 Non-operating Temperature	-55		+125	°C
相对湿度 Relative humidity	100% RH at 35c, 95%RH at 40°C			%
海拔 Altitude	50,000			feet
震动 Shock / Vibration(MIL-STD-810F)	25g rms (15 degree 2KHz) endurance, 1 hour per axis			
冲击 Shock(non operating)	20G for 11msc half sin wave,3 axis both directions			

订货信息 Ordering Information:

标准型号 Part Number		标准衰减值 Standard dB Values	版本号 Revision
SSMP Male/SSMP Female	SSMP Male/SSMP Male		
TA00A2-SSMP-18-Cryo-MF	TA00A2-SSMP-18-Cryo-MM	0dB	Rev.1.1
TA01A2-SSMP-18-Cryo-MF	TA01A2-SSMP-18-Cryo-MM	1dB	Rev.1.1
TA02A2-SSMP-18-Cryo-MF	TA02A2-SSMP-18-Cryo-MM	2dB	Rev.1.1
TA03A2-SSMP-18-Cryo-MF	TA03A2-SSMP-18-Cryo-MM	3dB	Rev.1.1
TA04A2-SSMP-18-Cryo-MF	TA04A2-SSMP-18-Cryo-MM	4dB	Rev.1.1
TA05A2-SSMP-18-Cryo-MF	TA05A2-SSMP-18-Cryo-MM	5dB	Rev.1.1
TA06A2-SSMP-18-Cryo-MF	TA06A2-SSMP-18-Cryo-MM	6dB	Rev.1.1
TA07A2-SSMP-18-Cryo-MF	TA07A2-SSMP-18-Cryo-MM	7dB	Rev.1.1
TA08A2-SSMP-18-Cryo-MF	TA08A2-SSMP-18-Cryo-MM	8dB	Rev.1.1
TA09A2-SSMP-18-Cryo-MF	TA09A2-SSMP-18-Cryo-MM	9dB	Rev.1.1
TA10A2-SSMP-18-Cryo-MF	TA10A2-SSMP-18-Cryo-MM	10dB	Rev.1.1
TA12A2-SSMP-18-Cryo-MF	TA12A2-SSMP-18-Cryo-MM	12dB	Rev.1.1
TA15A2-SSMP-18-Cryo-MF	TA15A2-SSMP-18-Cryo-MM	15dB	Rev.1.1
TA20A2-SSMP-18-Cryo-MF	TA20A2-SSMP-18-Cryo-MM	20dB	Rev.1.1
TA25A2-SSMP-18-Cryo-MF	TA30A2-SSMP-18-Cryo-MM	30dB	Rev.1.1