

Part No: TT1-40-SSMA

DC-40 GHz, SSMA, 1Watts

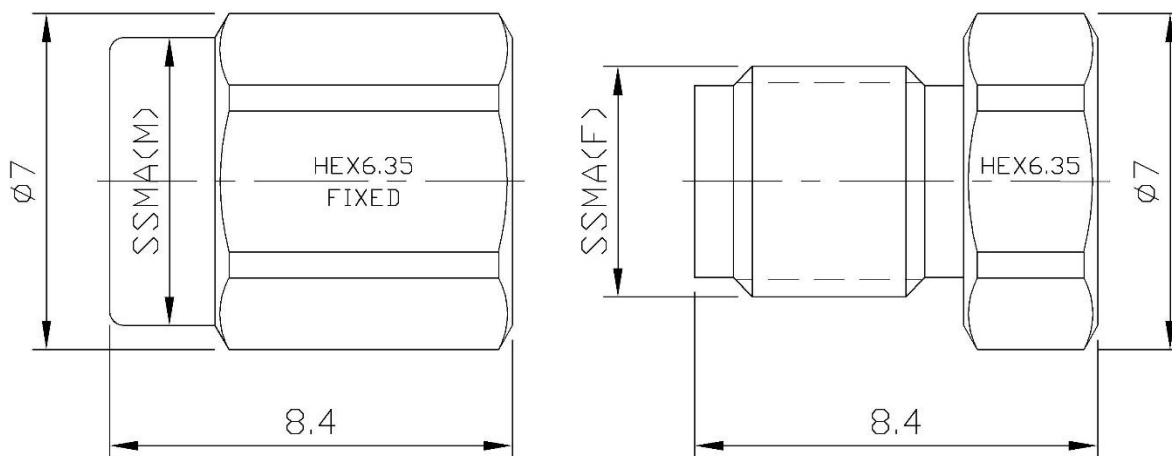
电气特性 ELECTRICAL

- **Frequency Range:** DC~40G
- **VSWR(:1) ReturnLoss (dB)**
 - DC~18G < 1.21 (-20.4)
 - DC~30G < 1.30 (-17.7)
 - DC~40G < 1.40 (-15.6)
- **Impedance** 50 Ohms
- **RF Power Rating** 1Watts Average at 25°C

机械特性 MECHANICAL

- **Storage Temperature:** -55°C~100°C
- **Center conductor:** Gold-plated, beryllium bronze
- **Connectors:** Passivated Stainless Steel
- **Weight:** 2 g

外形尺寸 Outline Drawing



unit: mm