

SP7T to SP8T Electromechanical Switch

Normally Open , DC to 40GHz, 2.92mm, TTL, D-SUB, with indicator

电气参数 Electrical Characteristics:

参数 Parameter	指标 Value
频率范围 Frequency Range	DC-40 GHz
阻抗 RF Impedance	50 Ohms
开关模式 Operation Mode	Normally Open
TTL 电压 TTL Voltage	0-0.8 V(OFF) 2.4-5 V(ON)
开关顺序 Switch Sequence	Break before make
切换时间 Switching time	15 ms Max
开关寿命 Standard Actuator Life	2 million (min)
驱动电压 Actuator Voltage Available	12 24 28 V
驱动电流 Actuator current	260 130 100 mA



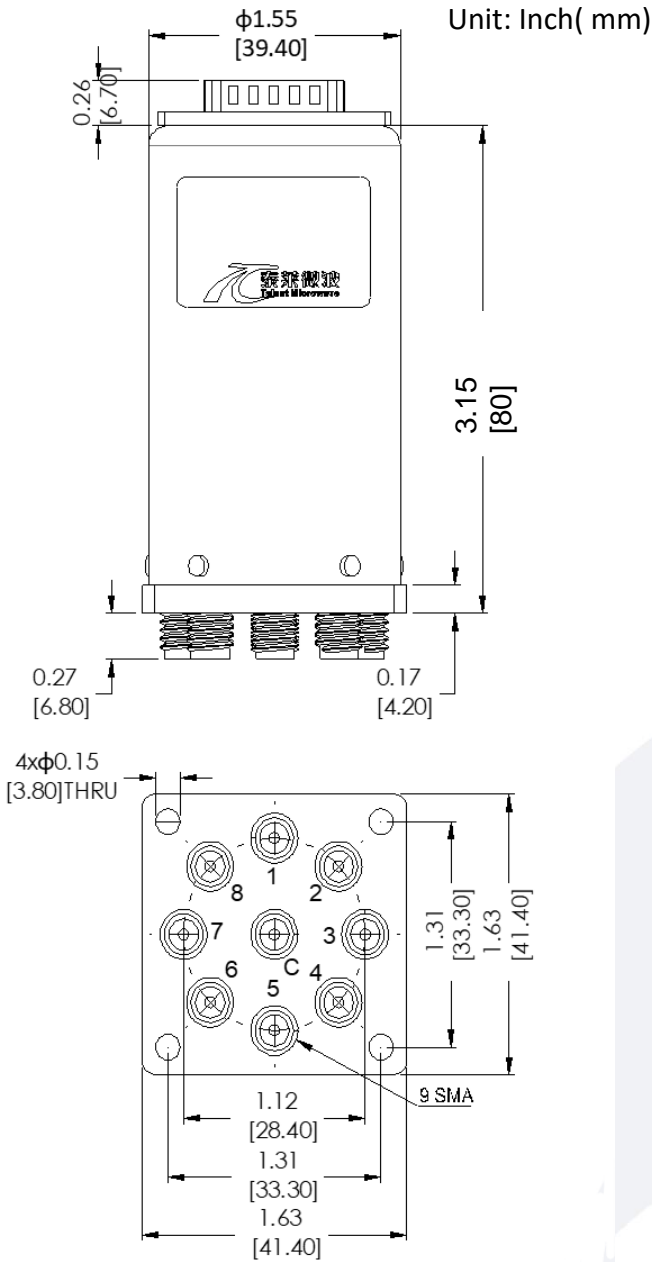
射频特性 RF Specifications:

频率范围 Frequency (GHz)	DC-4	4-8	8-12.4	12.4-18	18-26.5	26.5-40
插损 Insertion Loss (dB max.)	0.2	0.3	0.4	0.6	0.8	1.0
隔离 Isolation (dB min.)	75	65	60	60	55	50
驻波 VSWR (max.)	1.2:1	1.3:1	1.4:1	1.6:1	1.8:1	2.0
平均功率 RF Power CW (Watts max.)	100	70	60	45	15	5

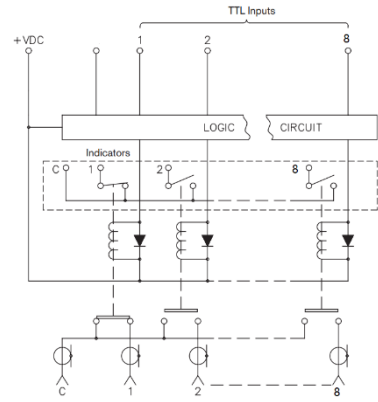
环境和物理特性 Environmental And Physical Characteristics:

参数 Parameter	指标 Value
操作温度 Operating Temperature	-25°C to +65°C(Standard) -55°C - +85°C(Optional)
震动 Vibration(operating)	10G RMS, 20-2000HZ
冲击 Shock(non operating)	50G, 1/2Sine, 12msec
射频接口 Connector Type	2.92mm Female
控制接口 Control Connector	D-SUB 26 PIN Male
重量 Weight	300g Max

外形尺寸 Outline Drawing:



原理图 Schematic:



26 PIN D-SUB		RF Connect Used	
Pin NO	FUNCTION	SP7T	SP8T
1	A1	1	1
2	A2	2	2
3	A3	3	3
4	A4	4	4
5	A5	5	5
6	A6	6	6
7	A7	7	7
8	A8		8
9-13	+VDC		
14	NC		
15	GND		
16	IND1		
17	IND2		
18	IND3		
19	IND4		
20	IND5		
21	IND6		
22	IND7		
23	IND8		
24	COM		
25,26	NC		

标准型号 Part Number:

标准型号 Part Number		驱动电压 Actuator voltage	可选项 Option
SP7T	SP8T		
R17-KN12T40-DI	R18-KN12T40-DI	12 V	-S (-55°C - +85°C)
R17-KN24T40-DI	R18-KN24T40-DI	24 V	
R17-KN28T40-DI	R18-KN28T40-DI	28 V	