

Model:TMAM-088110-0623-10
**Active Multiplier
 X6,88-110 GHz ,23 dBm Output Power**
Feature:

- Output Frequency: 88-110GHz
- Output Power : 23dBm Typ
- Low power consumption

电气特性 Electrical:

参数Parameter	Min.	Typ.	Max.	单位Units
输出频率 Output Frequency	88		110	GHz
输出功率 Output Power	21	23	24.5	dBm
输入频率 Input Frequency	14.666		18.33	GHz
输入功率 Input Power	3	4.5	6	dBm
倍频次数 Multiply Factor		6		dB
输入驻波 Input VSWR		2.0		:1
输出驻波 Output VSWR		2.5		:1
供电电压 DC Voltage		18		V
供电电流DC Supply Current		380		mA

机械特性 Mechanical :

参数Parameter	指标 Value	单位Units
输出接口Output Connector	WR-10/UG-387	
输入接口Input Connector	SMA Female	
直流偏置 Bias	Solder Pin	
尺寸 Size	56*82*60 (含散热器)	mm

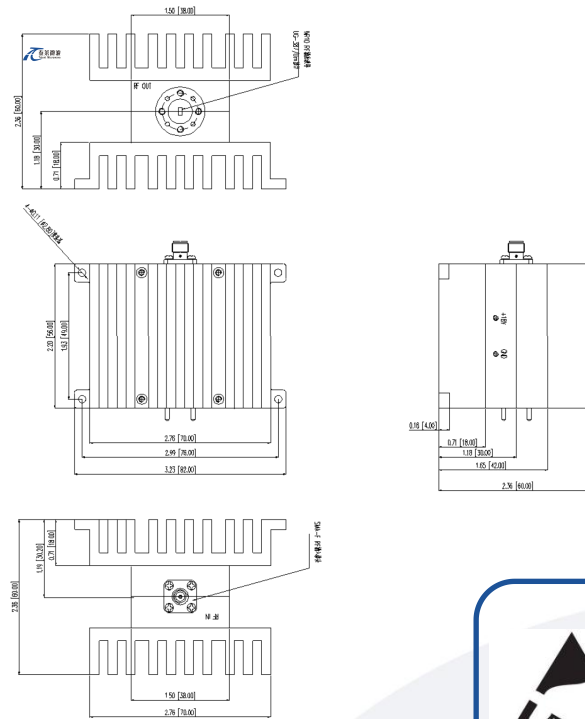

 Available 220V System
 Benchtop Amplifier

绝对最大值 Absolute Maximum Ratings:

参数Parameter	指标 Value
供电偏置电压 Supply Bias Voltage	TBD
输入功率 RF INPUT POWER	+6 dBm
ESD灵敏度 ESD sensitivity (HBm)	Class 0, passed 150V

外形尺寸 Outline Drawing:

Unit: mm(Inches)



OBSERVE PRECAUTIONS
ELECTROSTATIC SENSITIVE
DEVICES

温度环境 Environmental Conditions:

参数Parameter	Min.	Typ.	Max.	单位Units
操作温度 Operating Temperature	-10		+65	°C
存储温度 Non-operating Temperature	-45		+85	°C
相对湿度 Relative humidity		95		%
海拔 Altitude	50,000			feet
震动 Shock / Vibration(MIL-STD-810F)	25g rms (15 degree 2KHz) endurance, 1 hour per axis			
冲击 Shock(non operating)	20G for 11msc half sin wave,3 axis both directions			

订货信息 Ordering Information:

标准型号 Part Number	描述 Description	版本号Revision
TMAM-088110-0623-10	Active Multiplier X6, 88-110 GHz ,23dBm Typ Output Power,WR-10	Rev.1.1