

Model:TLLA0.5G8G-32-25
Low Noise Amplifier
0.5GHz-8GHz, NF:2.5dB, Gain:32dB, P1dB:15dBm
Feature:

- Ultra Wide Band: 0.5GHz -8GHz
- Gain: 32dB Typ
- Noise Figure: 2.5dB
- Good Power and Gain Flatness
- 50 Ohm Matched Input / Output

电气特性 Electrical:

参数Parameter	Min.	Typ.	Max.	单位Units
频率范围 Frequency range	0.5-8			GHz
增益 Gain	26	32		dB
增益平坦度 Gain Flatness		±1		dB
噪声系数 Noise Figure			2.5	dB
线性输出功率 Output P1dB	+15			dBm
输入驻波 Input VSWR		2.0		:1
输出驻波 Output VSWR		2.0		:1
直流电压 DC Voltage		+12		V DC
直流电流 DC Supply Current			200	mA
阻抗 Impedance	50			Ohms

机械特性 Mechanical :

参数Parameter	指标 Value	单位Units
输入输出接口 Input /Output Connector	SMA-K	
直流偏置 Bias	Solder Pin	
尺寸 Size	44.8*29.2*11	mm
重量 Weight	100	g

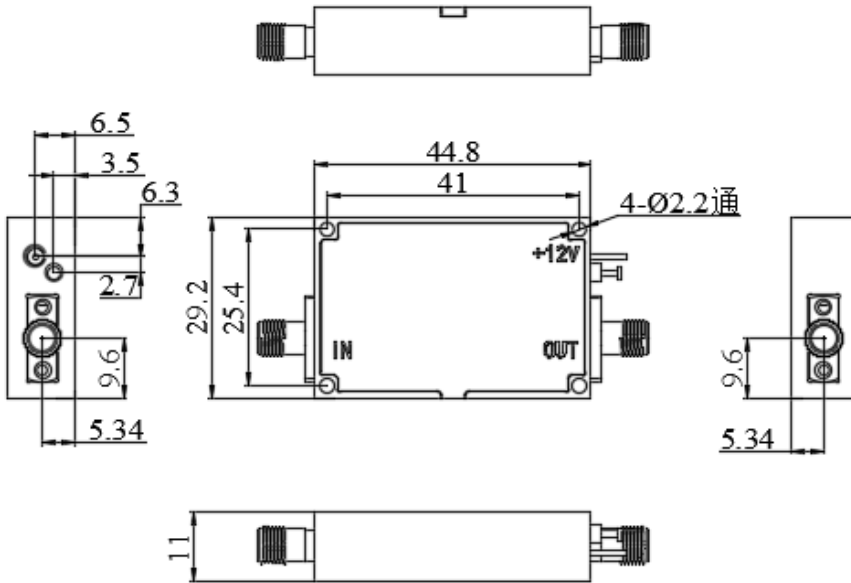

 Available 220V System
 Benchtop Amplifier

绝对最大值 Absolute Maximum Ratings:

参数Parameter	指标 Value
供电偏置电压 Supply Bias Voltage	
输入功率 RF Input Power	+15dBm
ESD灵敏度 ESD sensitivity (HBm)	Class 0, passed 150V

外形尺寸 Outline Drawing:

Unit: mm



*****Heat Sink Required During Operation**



OBSERVE PRECAUTIONS
ELECTROSTATIC SENSITIVE
DEVICES

温度环境 Environmental Conditions:

参数Parameter	Min.	Typ.	Max.	单位Units
操作温度 Operating Temperature	-40		+75	°C
存储温度 Non-operating Temperature	-55		+125	°C
相对湿度 Relative humidity		95		%
海拔 Altitude	50,000			feet
震动 Shock / Vibration(MIL-STD-810F)	25g rms (15 degree 2KHz) endurance, 1 hour per axis			
冲击 Shock(non operating)	20G for 11msc half sin wave,3 axis both directions			

订货信息 Ordering Information:

标准型号 Part Number	描述 Description	版本号Revision
TLLA0.5G8G-32-25	Low Noise Amplifier, 0.5GHz-8GHz, Noise Figure:2.5 dB, Gain:32 dB,P1dB:15dBm,12V DC,Without Heatsink	Rev.1.1
TLLA0.5G8G-32-25-HS	Low Noise Amplifier, 0.5GHz-8GHz, Noise Figure:2.5 dB, Gain:2 dB,P1dB:15dBm,12V DC,With Heatsink	Rev.1.1