

Part No: TAXXA1-1.0-110A

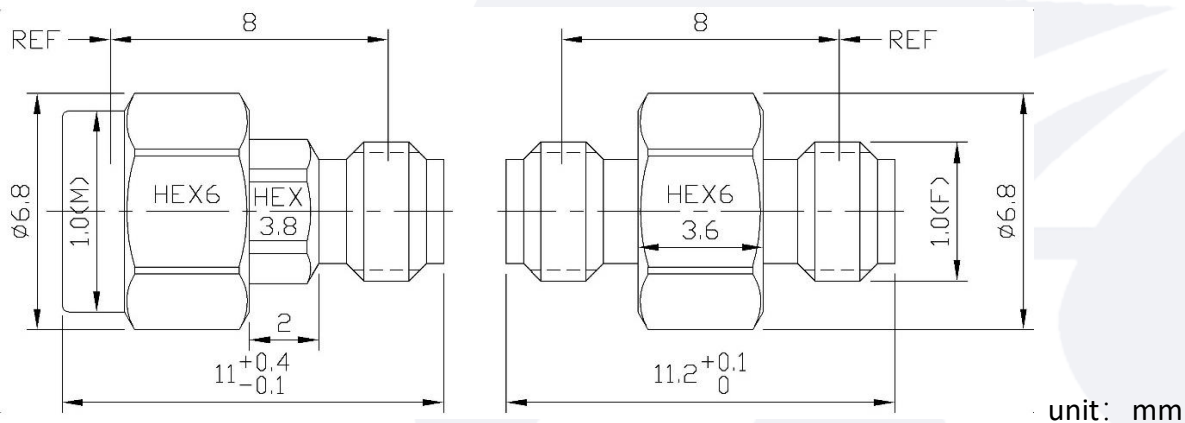
1.0 mm Attenuators • DC -110 GHz - 1 W

电气特性 ELECTRICAL

- **Frequency Range** DC – 110GHz
- **Attenuation (dB)**
 - 3-1.5/+1.8 dB
 - 5-1.5/+1.8 dB
 - 6-1.5/+1.8 dB
 - 10 -1.2/+1.5dB
- **VSWR (MAX)** DC –110GHz..... 1.60: 1
- **Impedance** 50 Ohms
- **RF Power Nominal** 1Watts Average at 25°C; 0.1 Watts Average at 100°C.
 PEAK: 10Watts (5 μSec Pulse Width , 5% Duty Cycle)

机械特性 MECHANICAL

- **Temperature Range** -55°C - +100°C
- **Connectors** 1.0mm Male/Female
- **Connector Pins** Beryllium Bronze, Gold Plated
- **Body** Stainless Steel
- **Insulators** PEI
- **Weight:** 2g



订货信息 ORDER

Model Number: TAXXA1-1.0-110A
 _____ dB Value