

**Model: TLHM-220330-0230-03**
**Sub-Harmonic Mixer**
**RF:220-330 GHz,LO:110-165GHz,IF:DC-30 GHz,**
**Feature:**

- Low LO Power Requirement
- Subharmonic Mixing
- Compact Package

**电气特性 Electrical:**

参数Parameter	Min.	Typ.	Max.	单位Units
RF频率 RF Frequency	220		330	GHz
LO频率 LO Frequency	110		165	GHz
IF频率 IF Frequency	DC		30	GHz
LO 驱动功率 LO-Input power	6	+7.	+8	dBm
射频输入功率 RF Input Power	-40	-10	5	dBm
单边带变频损耗 SSB Conversion Loss	6.5	11	13	dB

\* Conversion Loss degrade below 180GHz

**机械特性 Mechanical :**

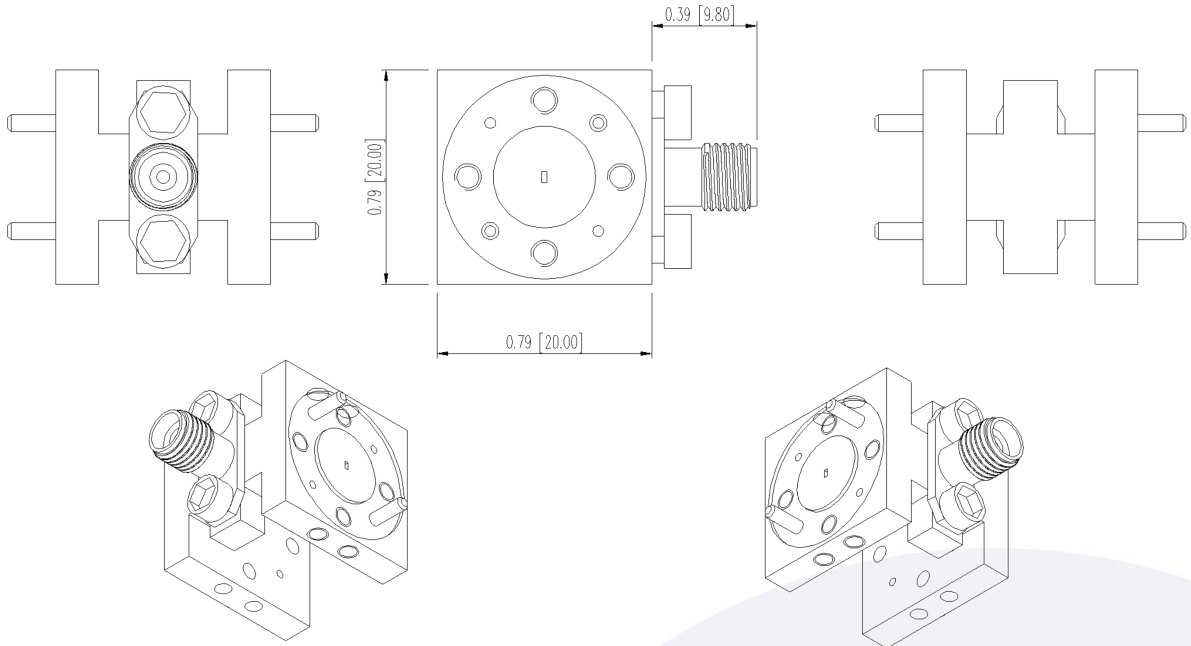
参数Parameter	指标 Value	单位Units
RF 接口RF Connector	WR-3.4/UG-387	
LO接口LO Connector	WR-6.5/UG-387	
IF接口 IF Connector	2.92mm Female	
尺寸 Size	TBD	mm

**绝对最大值 Absolute Maximum Ratings:**

参数Parameter	指标 Value
RF 功率 RF Input Power	+10 dbm
LO 功率 LO Input Power	TBD
ESD灵敏度 ESD sensitivity (HBm)	Class 0, passed 150V

**外形尺寸 Outline Drawing:**

Unit: mm(Inches)



OBSERVE PRECAUTIONS  
ELECTROSTATIC SENSITIVE  
DEVICES

**温度环境 Environmental Conditions:**

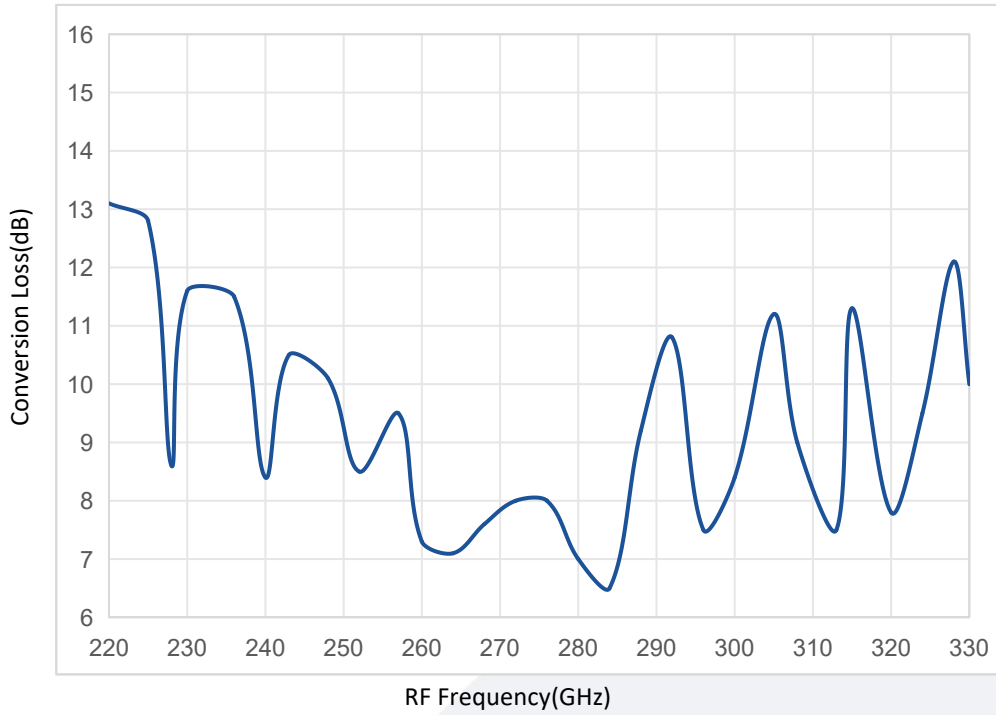
参数Parameter	Min.	Typ.	Max.	单位Units
操作温度 Operating Temperature	0		+45	°C
存储温度 Non-operating Temperature	-25		+65	°C
相对湿度 Relative humidity		95		%
海拔 Altitude	50,000			feet
震动 Shock / Vibration(MIL-STD-810F)	25g rms (15 degree 2KHz) endurance, 1 hour per axis			
冲击 Shock(non operating)	20G for 11msc half sin wave,3 axis both directions			

**订货信息 Ordering Information:**

标准型号 Part Number	描述 Description	版本号Revision
TLHM-220330-0230-03	Subharmonically Mixer RF:220-330GHz,LO:110-165GHz,IF:DC-30GHz	Rev.1.1

典型曲线 Typical Performance Data:

Conversion Loss vs RF Frequency



IF Output Power VS RF In Power @275GHz

