

Model: TLHM-260400-0230-2.8
Sub-Harmonic Mixer
RF:260-400GHz,LO:130-200GHz,IF:DC-30GHz
Feature:

- Low LO Power Requirement
- Subharmonic Mixing
- Compact Package

电气特性 Electrical:

参数Parameter	Min.	Typ.	Max.	单位Units
RF频率 RF Frequency	260		400	GHz
LO频率 LO Frequency	130		200	GHz
IF频率 IF Frequency	DC		30	GHz
射频输入电平 LOPin	-40	-10	5	dBm
本振输入电平 RFPin	5	8	5	dBm
压缩点 Point of compression	-5	-4.5	-3.5	dBm
单边带变频损耗 SSB Conversion Loss	8.5	10	11	dB

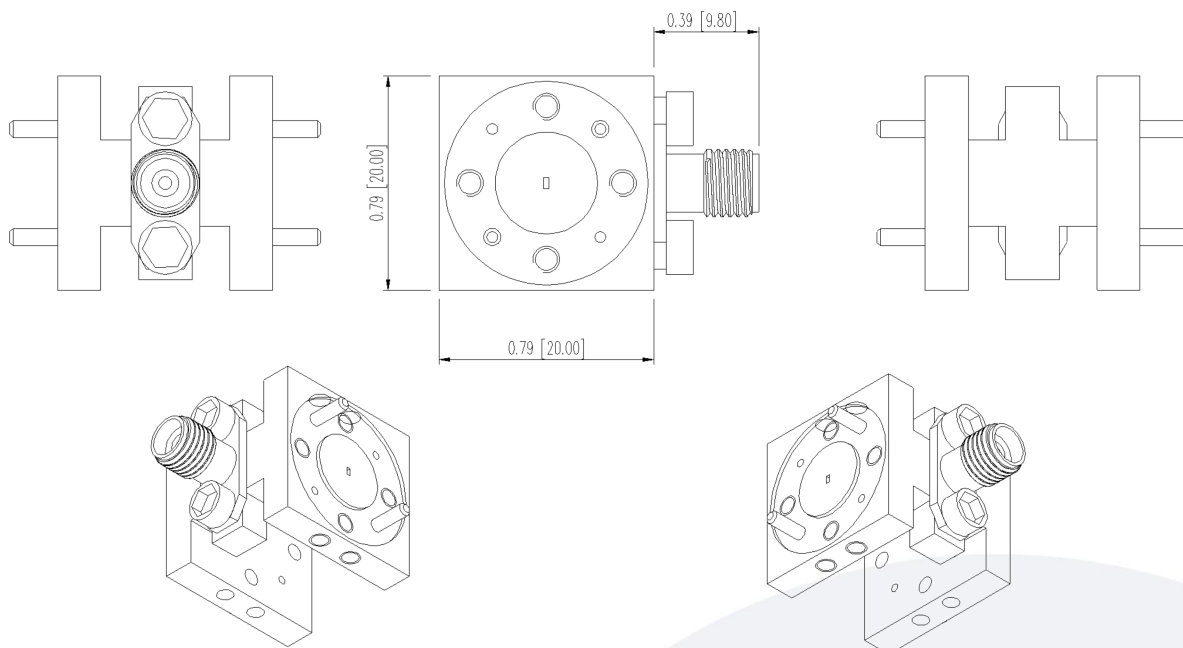
* Conversion Loss degrade below 180GHz

机械特性 Mechanical :

参数Parameter	指标 Value	单位Units
RF 接口RF Connector	WR-2.8/UG-387	
LO接口LO Connector	WR-5.1/UG-387	
IF接口 IF Connector	2.92mm Female	
尺寸 Size	1.295*0.648	mm

绝对最大值 Absolute Maximum Ratings:

参数Parameter	指标 Value
RF 功率 RF Input Power	5 dbm
LO 功率 LO Input Power	10 dbm
ESD灵敏度 ESD sensitivity (HBm)	Class 0, passed 150V

外形尺寸 Outline Drawing:


OBSERVE PRECAUTIONS
ELECTROSTATIC SENSITIVE
DEVICES

温度环境 Environmental Conditions:

参数Parameter	Min.	Typ.	Max.	单位Units
操作温度 Operating Temperature	-55		+85	°C
存储温度 Non-operating Temperature	-60		+150	°C
相对湿度 Relative humidity		95		%
海拔 Altitude	50,000			feet
震动 Shock / Vibration(MIL-STD-810F)	25g rms (15 degree 2KHz) endurance, 1 hour per axis			
冲击 Shock(non operating)	20G for 11msc half sin wave,3 axis both directions			

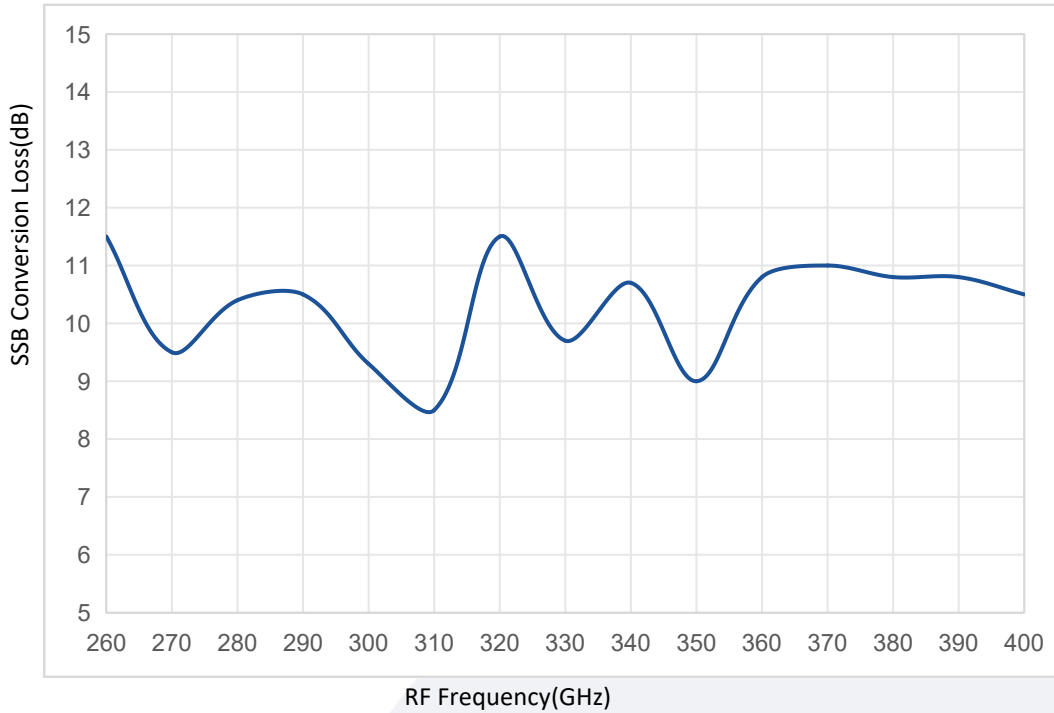
订货信息 Ordering Information:

标准型号 Part Number	描述 Description	版本号Revision
TLHM-260400-0230-2.8	Subharmonically Mixer RF:260-400GHz,LO:130-200GHz,IF:DC-30GHz	Rev.1.1

典型曲线 Typical Performance Data:

SSB Conversion Loss vs RF Frequency

固定中频为 1GHz 时



SSB Conversion Loss vs RF Frequency

固定本振为 135GHz/165GHz/195GHz 时

