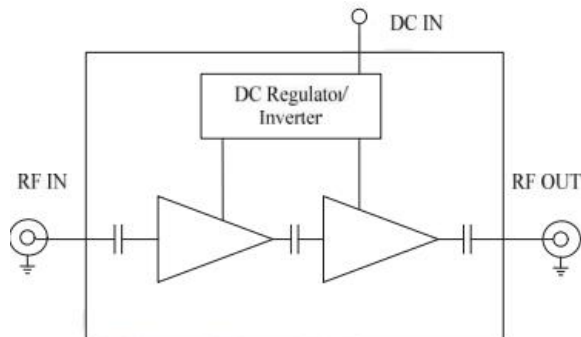


Model: TLLA0.01G26.5G-32-40

Low noise amplifier, 0.01-26.5GHz, NF:4dB

Feature:

- Broadband Performance
- Gain: 32dB
- Noise Figure: 4 dB Typical
- Good Power and Gain Flatness
- 50 Ohm Matched Input / Output



电气特性 ELECTRICAL:

参数Parameter	Min.	Typ.	Max.	Units
频率范围 Frequency range	0.01-26.5			GHz
增益 Gain	27	32		dB
增益平坦度 Gain Flatness		±2.5		dB
噪声系数 Noise Figure		4.0	6.0	dB
线性输出功率 P1db	18	20		dBm
OIP3		22		dBm
输入驻波 Input VSWR		1.8		:1
输出驻波 Output VSWR		1.8		:1
直流电压 DC Voltage		+12		Vdc
直流电流 DC Supply Current	360			mA
阻抗 Impedance	50			Ohms

机械特性 Mechanical :

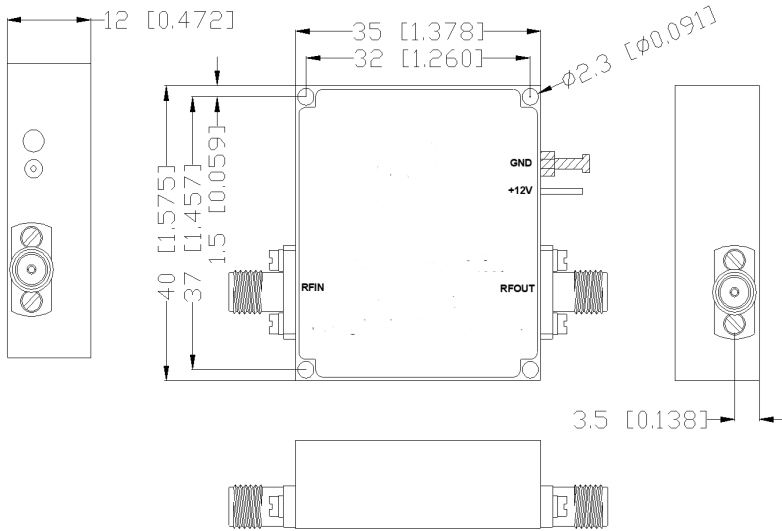
参数Parameter	指标 Value	单位Units
输入输出接口 Input /Output Connector	2.92mm (f)	
直流偏置 Bias	Solder Pin	
尺寸 Size	40*35*12	mm
重量 Weight	/	

绝对最大值 Absolute Maximum Ratings:

参数Parameter	指标 Value
供电偏置电压 Supply Bias Voltage	+15
输入功率 RF INPUT POWER	-5 dBm
ESD灵敏度 ESD sensitivity (HBm)	Class 0, passed 150V

外形尺寸 Outline Drawing:

Unit: mm(Inches)



OBSERVE PRECAUTIONS
ELECTROSTATIC SENSITIVE
DEVICES

温度环境 Environmental Conditions:

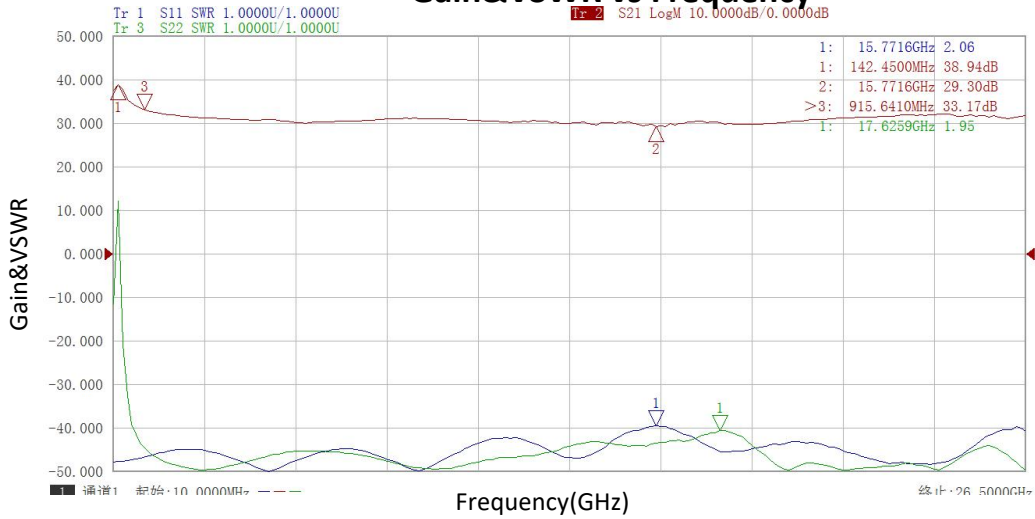
参数Parameter	Min.	Typ.	Max.	单位Units
操作温度 Operating Temperature	-40		+85	°C
存储温度 Non-operating Temperature	-55		+125	°C
相对湿度 Relative humidity		95		%
海拔 Altitude	10000		30000	feet
震动 Shock / Vibration(MIL-STD-810F)		Airborne		
冲击 Shock(non operating)	20G for 11msc half sin wave,3 axis both directions			

订货信息 Ordering Information:

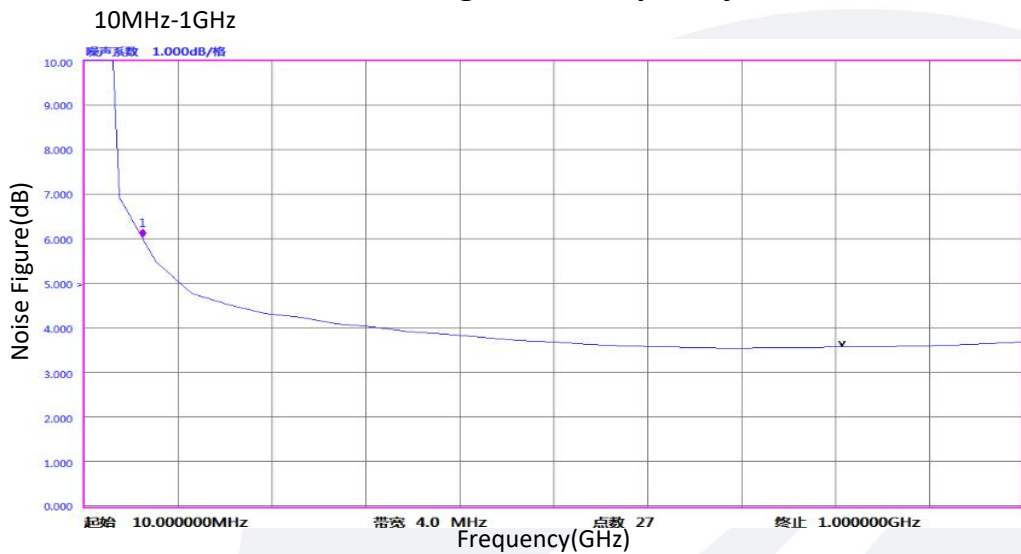
标准型号 Part Number	描述 Description	版本号Revision
TLLA0.01G26.5G-32-40	Low Noise Amplifier, 0.01-26.5GHz, Noise Figure:4.0dB, Gain:32dB,P1dB:20dBm,12V DC,Without Heatsink	Rev.1.1

典型曲线 Typical Performance Data:

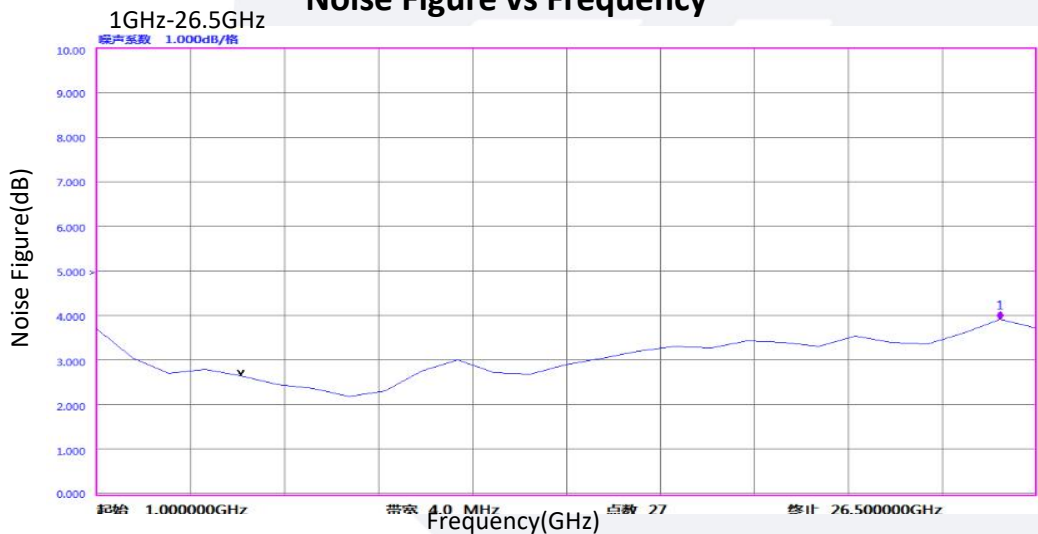
Gain&VSWR vs Frequency



Noise Figure vs Frequency

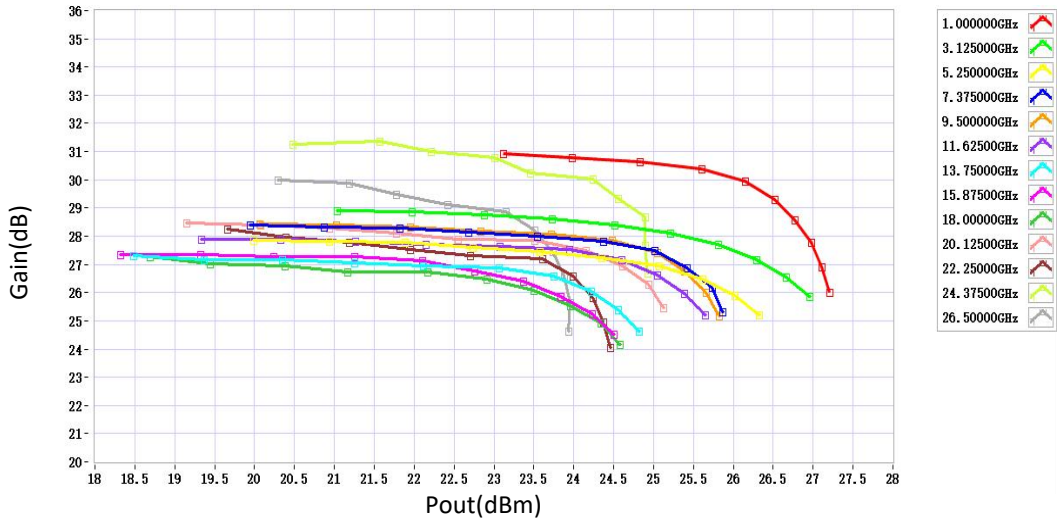


Noise Figure vs Frequency



典型曲线 Typical Performance Data:

Gain vs Frequency



P1dB vs Frequency

