

Model: TLLA10G67G-30-50
Low Noise Amplifier
10-67GHz, NF:5.0dB, Gain:30 dB, P1dB:13dBm
Feature:

- Ultra Wide Band: 10-67GHz
- Gain: 30dB Typ
- Noise Figure: 5.0dB Typ
- Good Power and Gain Flatness
- 50 Ohm Matched Input / Output

电气特性 Electrical:

参数Parameter	Min.	Typ.	Max.	单位Units
频率范围 Frequency range	10-67			GHz
增益 Gain	28	30		dB
增益平坦度 Gain Flatness		±3		dB
噪声系数 Noise Figure		5.0	8.0	dB
线性输出功率P1dB		+13		dBm
输出三阶交调 Output IP3		+25		dBm
输入驻波 Input VSWR		2.0		:1
输出驻波 Output VSWR		2.0		:1
直流电压 DC Voltage		+12	+13	V DC
直流电流 DC Supply Current		300		mA
阻抗 Impedance	50			Ohms

机械特性 Mechanical :

参数Parameter	指标 Value	单位Units
输入输出接口 Input /Output Connector	1.85mm Female	
直流偏置 Bias	Solder Pin	
尺寸 Size	76.2*50.8*37.2	mm
重量 Weight	/	g

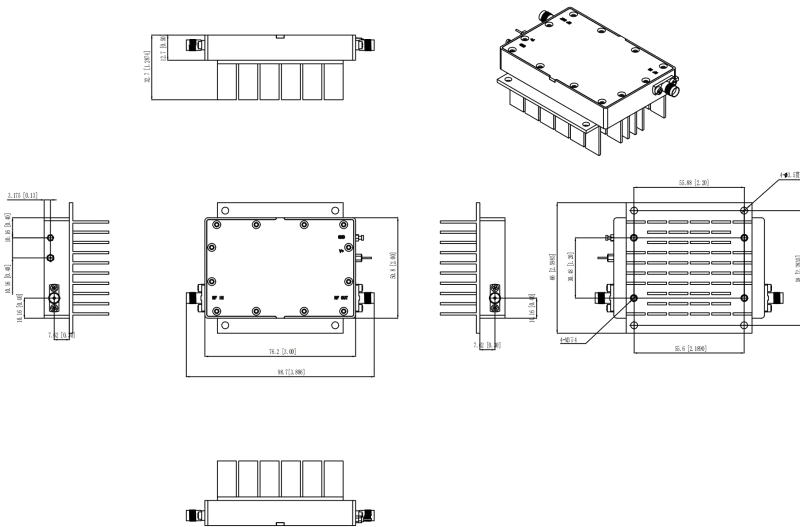

 Available 220V System
 Benchtop Amplifier

绝对最大值 Absolute Maximum Ratings:

参数Parameter	指标 Value
供电偏置电压 Supply Bias Voltage	+13V max
输入功率 RF INPUT POWER	10 dBm max
ESD灵敏度 ESD sensitivity (HBm)	Class 0, passed 150V

外形尺寸 Outline Drawing:

Unit: mm(inches)



*****Heat Sink Required During Operation**

温度环境 Environmental Conditions:

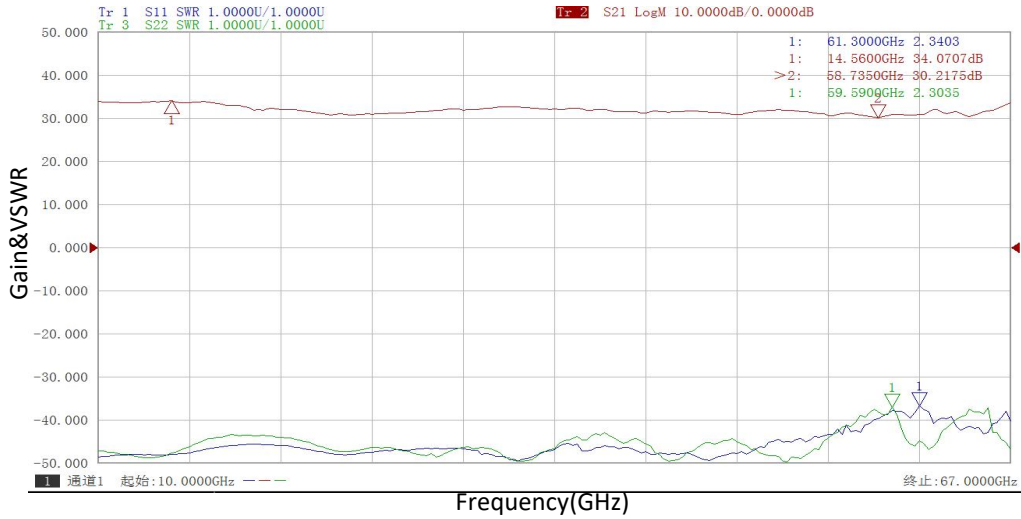
参数Parameter	Min.	Typ.	Max.	单位Units
操作温度 Operating Temperature	-40		+85	°C
存储温度 Non-operating Temperature	-55		+125	°C
相对湿度 Relative humidity		95		%
海拔 Altitude	50,000			feet
震动 Shock / Vibration(MIL-STD-810F)	25g rms (15 degree 2KHz) endurance, 1 hour per axis			
冲击 Shock(non operating)	20G for 11msc half sin wave,3 axis both directions			

订货信息 Ordering Information:

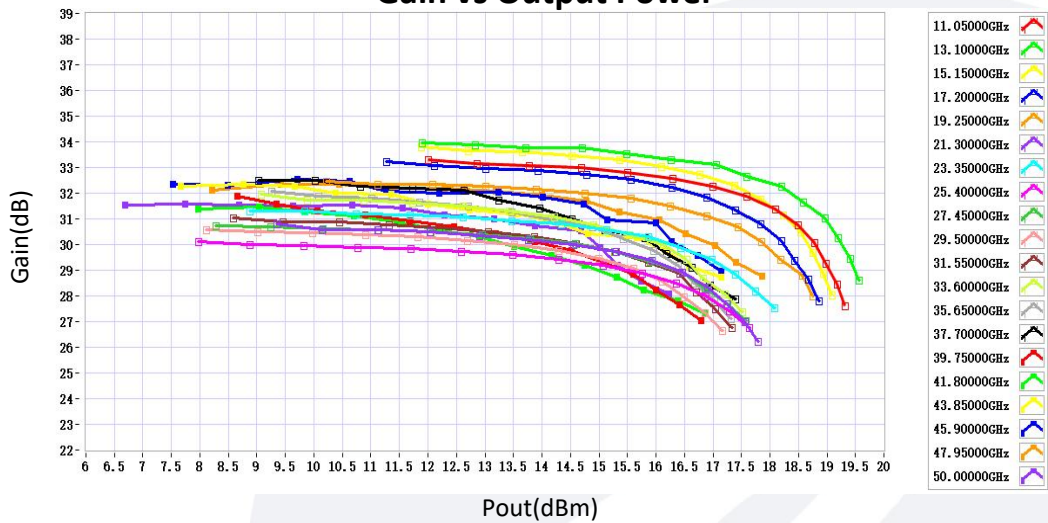
标准型号 Part Number	描述 Description	版本号Revision
TLLA10G67G-36-50	Low Noise Amplifier, 10-67GHz, Noise Figure:5.0 dB, Gain:30 dB,P1dB:13dBm,12V DC,Without Heatsink	Rev.1.1
TLLA10G67G-36-50-HS	Low Noise Amplifier, 10-67GHz, Noise Figure:5.0 dB, Gain:30 dB,P1dB:13dBm,12V DC,With Heatsink	Rev.1.1

典型曲线 Typical Performance Data:

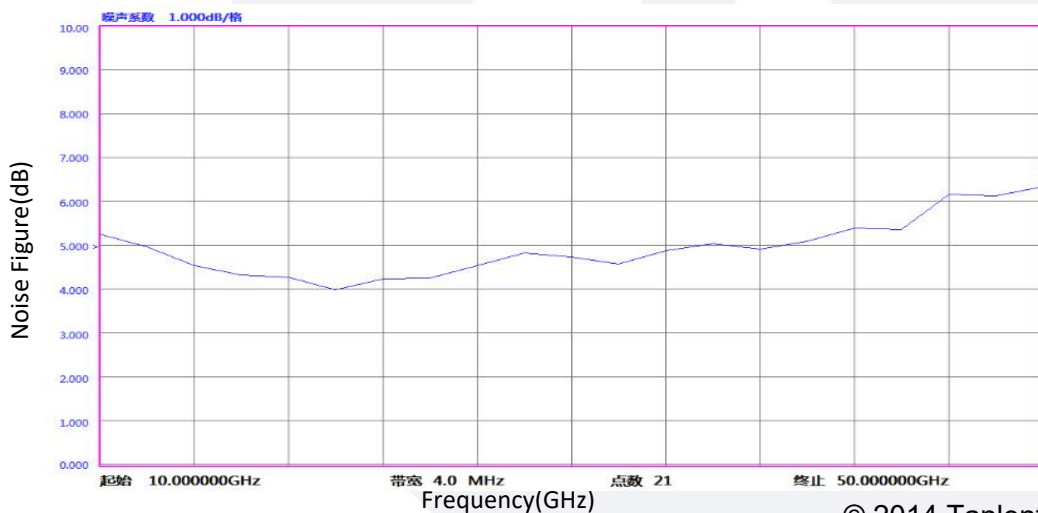
Gain&VSWR vs Frequency



Gain vs Output Power



Noise Figure vs Frequency



典型曲线 Typical Performance Data:

