

Model:TMPM-170260-0311-4.3

G-Band Passive Frequency Tripler X3, 170-260 GHz ,11 dBm Output Power,

Feature:

- Output Frequency: 170-260GHz
- Output Power : 11dBm Typ
- Low power consumption
- 50 Ohm Matched Input / Output

电气特性 Electrical:

参数Parameter	Min.	Typ.	Max.	单位Units
输出频率 Output Frequency	170		260	GHz
输出功率 Output Power		11		dBm
输入频率 Input Frequency	56.67		86.67	GHz
输入功率 Input Power		24	26	dBm
倍频次数 Multiply Factor		3		

机械特性 Mechanical :

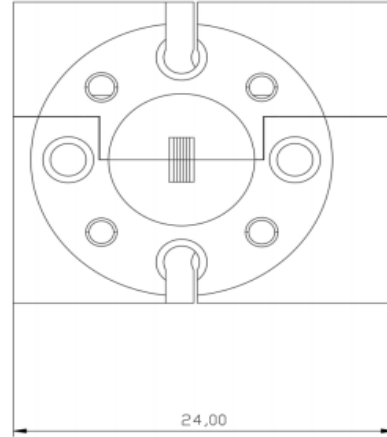
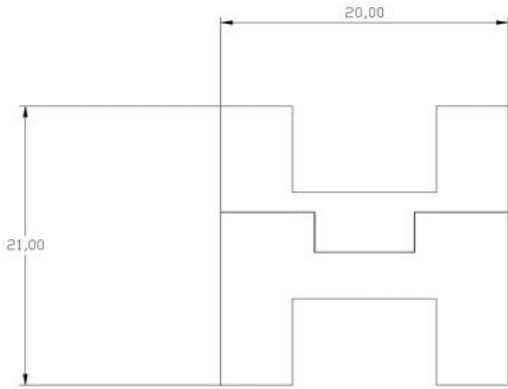
参数Parameter	指标 Value	单位Units
输出接口Output Connector	WR-4.3/UG-387	
输入接口Input Connector	WR-12/UG-387	
尺寸 Size		mm

绝对最大值 Absolute Maximum Ratings:

参数Parameter	指标 Value
输入功率 RF Input Power	26 dBm
ESD灵敏度 ESD sensitivity (HBm)	Class 0, passed 150V

外形尺寸 Outline Drawing:

Unit: mm



温度环境 Environmental Conditions:



OBSERVE PRECAUTIONS
ELECTROSTATIC SENSITIVE
DEVICES

参数Parameter	Min.	Typ.	Max.	单位Units
操作温度 Operating Temperature	0		+50	°C
存储温度 Non-operating Temperature	-25		+65	°C
相对湿度 Relative humidity		95		%
海拔 Altitude	50,000			feet
震动 Shock / Vibration(MIL-STD-810F)	25g rms (15 degree 2KHz) endurance, 1 hour per axis			
冲击 Shock(non operating)	20G for 11msc half sin wave,3 axis both directions			

订货信息 Ordering Information:

标准型号 Part Number	描述 Description	版本号Revision
TMPM-170260-0311-4.3	G-Band Passive Frequency Tripler X3, 170-260 GHz ,11dBm Output Power,WR-4.3	Rev.1.1