

**Model: TMLA-040060-3050-19-N**

**Low Noise Amplifier**  
**40-60GHz, NF:5.0 dB, Gain:30 dB**

**Feature:**

- Ultra Wide Band: 40-60 GHz
- Gain: 30dB Min
- Noise Figure: 5.0dB Typ
- Unconditional stability

**电气特性 Electrical Specifications:**

参数Parameter	Min	Typ	Max	单位Units
频率范围 Frequency range	40		60	GHz
增益 Gain	30			dB
噪声系数 Noise Figure		5.0		dB
输出功率1dB压缩点 Output P1dB		15		dBm
输入驻波 Input VSWR		2		:1
输出驻波 Output VSWR		2		:1
直流电压 DC Voltage		+8		V DC
直流供电 DC power supply		250		mA

**机械特性 Mechanical Specifications:**

参数Parameter	指标 Value	单位Units
输入接口 Input Connector	WR-19/ UG-383/U	
输出接口 Output Connector	WR-19/ UG-383/U	
供电引脚 Power Supply Pin	Solder Pin	
尺寸 Size	45*30*30	mm

**绝对最大值 Absolute Maximum Ratings:**

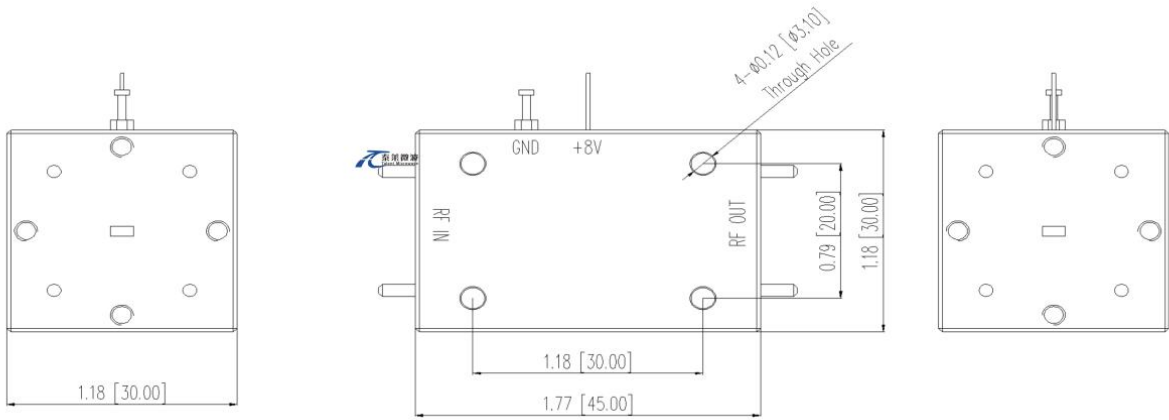
参数Parameter	指标 Value
供电偏置电压 Supply Bias Voltage	+8 V
输入功率 RF Input Power	TBD
ESD灵敏度 ESD sensitivity (HBm)	Class 0, passed 150V



Available 220V System  
Benchtop Amplifier

外形尺寸 Outline Drawing:

Unit: Inches(mm)



OBSERVE PRECAUTIONS  
ELECTROSTATIC SENSITIVE  
DEVICES

温度环境 Environmental Conditions:

参数Parameter	Min	Typ	Max	单位Units
操作温度 Operating Temperature	-40		+75	°C
存储温度 Non-operating Temperature	-55		+85	°C
相对湿度 Relative humidity		95		%
海拔 Altitude	50,000			feet
震动 Shock / Vibration(MIL-STD-810F)	25g rms (15 degree 2KHz) endurance, 1 hour per axis			
冲击 Shock(non operating)	20G for 11msc half sin wave,3 axis both directions			

订货信息 Ordering Information:

标准型号 Part Number	描述 Description	版本号Revision
TMLA-040060-3050-19-N	Low Noise Amplifier,40-60GHz, Noise Figure:5.0dB, Gain:30dB,+8V DC,WR-19	Rev.1.1