

Solid State High Power Amplifier Systems

74-110GHz/37dB Gain/37dBm Psat/220V AC

Model: TLPA74G110G-37-37-BC

TLPA74G110G-37-37-BC is a solid state high power amplifier systems provides high output power and high gain across the 74 to 110GHz frequency range. The amplifier features a built-in 220V power supply, making it easy to use in most lab environments. This model features thermal self protection, preventing damage to the amplifier and providing added reliability.

Features:

- Frequency range: 74-110GHz
- Gain: 37dB Min
- Psat Output Power: 37dBm Min
- Protection: Over TEM, over voltage, over current, over VSWR protection
- 50 Ohm Matched Input / Output

Electrical Characteristics:

Parameter	Symbol	Min	Typ	Max	Units
Frequency range	BW	74		110	GHz
Working Mode	MOD	CW/PULSE compatible			
Power Gain@Psat	GP	37			dB
Output Psat	Psat	37			dBm
Spurious@Psat	Spur		-50		dBc
AC Voltage	Vac		220		V AC
Power Consumption	Pdiss			400	W
Impedance	I/O-IMP	50			Ohms

Mechanical Specifications:

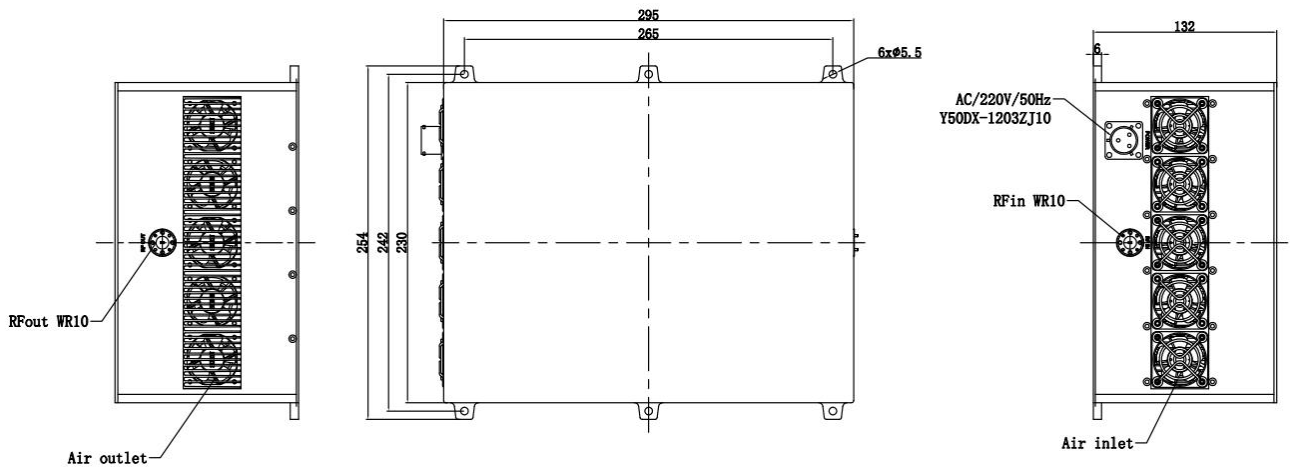
Parameter	Value	Units
Input /Output Connector	WR10/WR10	
Power Supply Connector	Y50DX-1203	
Size	295*230*132	mm
Weight	≤10	Kg

Absolute Maximum Ratings:

Parameter	Value
RF Input Power	+5 dBm
ESD sensitivity (HBm)	Class 0, passed 150V

Outline Drawing:

Unit:mm



Key Features:

Parameter	Advantages
Control functions	1, Power setting on/off
Protection functions	1, Over TEM 2, Over voltage 3, Over current 4, Over VSWR
Cooling system	Built in Cooling system, forced air cooling

Environmental Conditions:

Parameter	Min	Typ	Max	Units
Operating Temperature*	-20		+50	°C
Non-operating Temperature*	-30		+60	°C
Relative humidity		95		%
Altitude	10,000			feet
Shock / Vibration(MIL-STD-810F)	25g rms (15 degree 2KHz) endurance, 1 hour per axis			
Shock(non operating)	20G for 11msec half sin wave,3 axis both directions			

*Note: For a wider temperature range, please consult the manufacturer.

Ordering Information:

Base Number	Description	Revision
TLPA74G110G-37-37-BC	Solid State High Power Amplifier Systems 74-110GHz,Gain:37dB,Psat:37dBm,220V AC,Built in Fan Cooling	Rev.1.0