

Solid State High Power Amplifier Systems

26.5-40GHz/53dB Gain/53dBm Psat/380V AC

Model: TLPA26.5G40G-53-53-BC

TLPA26.5G40G-53-53-BC is a solid state high power amplifier systems provides high output power and high gain across the 26.5 to 40 GHz frequency range. The amplifier features a built-in 380V power supply, making it easy to use in most lab environments. This model features thermal self protection, preventing damage to the amplifier and providing added reliability.

Features:

- Frequency range: 26.5-40GHz
- Gain: 53dB Min
- Psat Output Power:53dBm Min
- Protection:Over TEM,over voltage, over current ,over VSWR protection
- 50 Ohm Matched Input / Output

电气特性 Electrical Characteristics:

参数 Parameter	代码 Symbol	Min	Typ	Max	单位 Units
频率范围 Frequency range	BW	26.5-40			GHz
功率增益 Power Gain	GP	53			dB
增益平坦度 Gain flatness	ΔGL		±5		dB
饱和输出功率 Output Psat	Psat	53			dBm
杂散 Spurious@Pout=53dBm	Spur			-50	dBc
谐波 Harmonics@Pout=53dBm	HAM			-20	dBc
输入驻波 Input VSWR	VSWRin			2	:1
交流电压 AC Voltage	Vac		380		V AC
功耗 Power Consumption	Pdiss			5000	W
阻抗 Impedance	I/O-IMP	50			Ohms

机械特性 Mechanical Specifications:

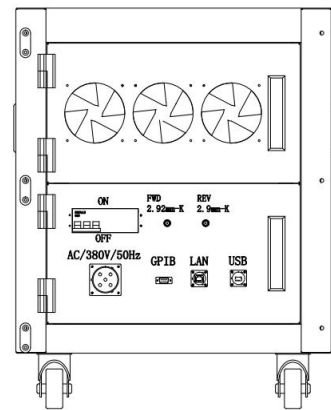
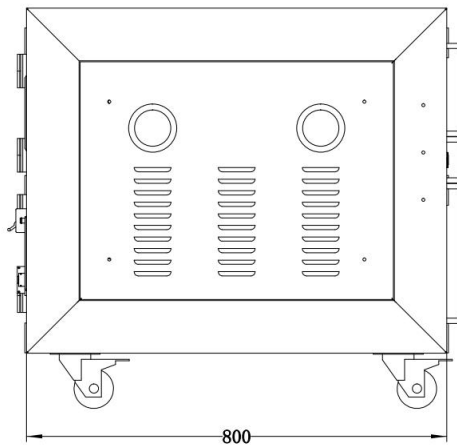
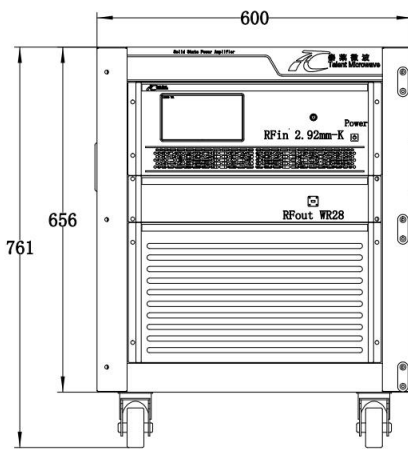
参数 Parameter	指标 Value	单位 Units
输入/输出接口 Input /Output Connector	2.92 Female/WR-28	
正向/反向耦合 Forward/Reverse Coupling	2.92mm Female/ 2.92mm Female	
通信接口 Communication Connector	RJ45/DB9	
液晶显示屏 Front Panel LCD Screen Display	7 inch LCD Screen Display	
尺寸 Size	12U	
重量 Weight	≤150	Kg

绝对最大值 Absolute Maximum Ratings:

参数 Parameter	指标 Value
输入功率 RF Input Power	+5 dBm
ESD灵敏度 ESD sensitivity (HBm)	Class 0, passed 150V

外形图 Outline Drawing:

Unit:mm



主要功能 Key Features:

参数 Parameter	特点 Advantages
控制功能 Control functions	1, Power setting On/Off 2, ALC automatic level control
内置保护功能 Protection functions	1, Over TEM 2, Over voltage 3, Over current 4, Over VSWR
监控和控制 Remote control	RS422/LAN/GPIB/USB
冷却系统 Cooling system	Built in Cooling system, forced air cooling

温度环境 Environmental Conditions:

参数 Parameter	Min	Typ	Max	单位 Units
操作温度 Operating Temperature*	-20		+40	°C
存储温度 Non-operating Temperature*	-30		+50	°C
相对湿度 Relative humidity		95		%
海拔 Altitude	10,000			feet
震动 Shock / Vibration(MIL-STD-810F)	25g rms (15 degree 2KHz) endurance, 1 hour per axis			
冲击 Shock(non operating)	20G for 11msc half sin wave,3 axis both directions			

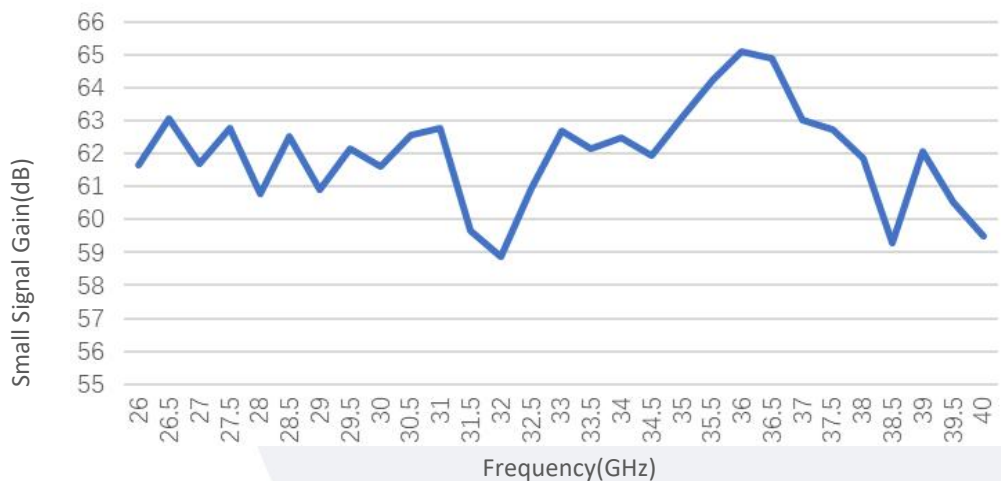
*Note: For a wider temperature range, please consult the manufacturer.

订货信息 Ordering Information:

标准型号 Base Number	描述 Description	版本号 Revision
TLPA26.5G40G-53-53-BC	Solid State High Power Amplifier Systems 26.5-40GHz, Gain:53dB, Psat:53 dBm, 380V AC, Built in Fan Cooling	Rev.1.1

典型曲线 Typical Performance Data:

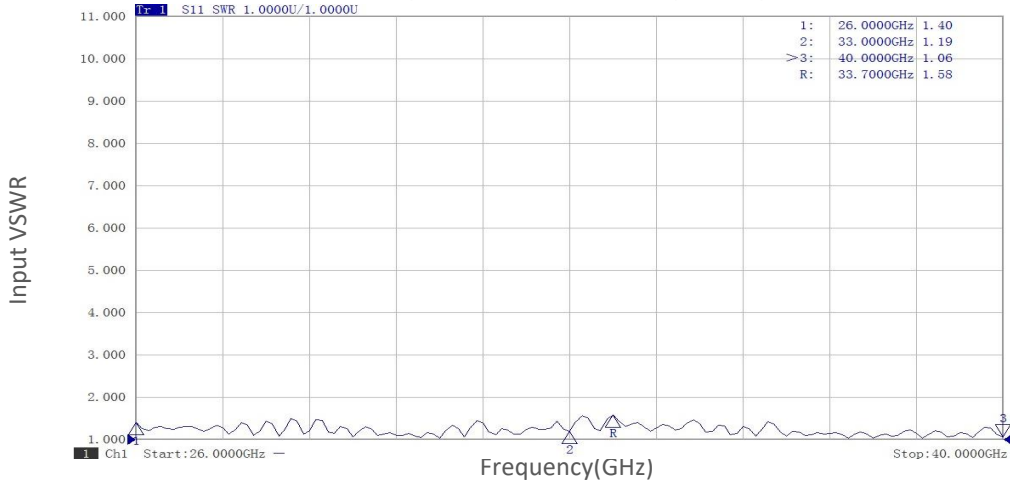
Small Signal Gain vs Frequency



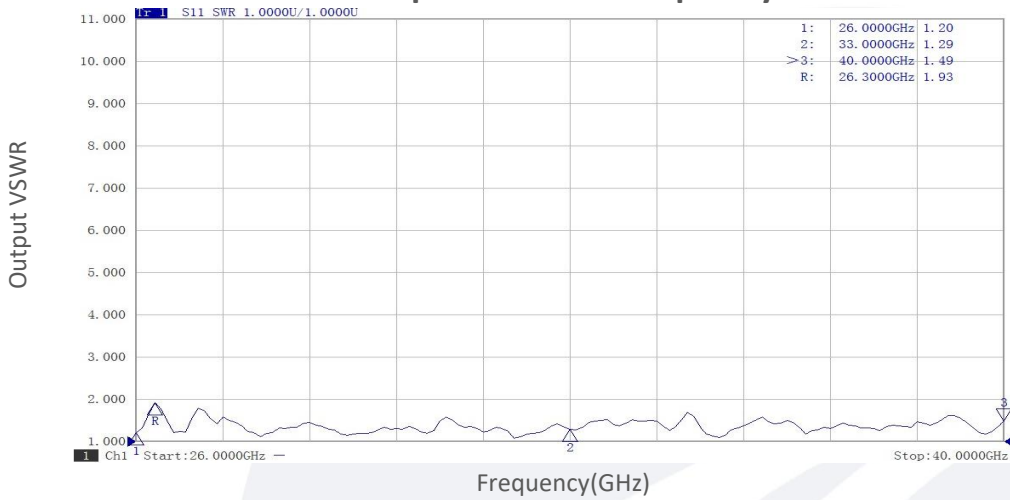
Note: Above data is for ref only, actual data may vary from unit to unit depending on operating environment and other factors like material lots etc.

典型曲线 Typical Performance Data:

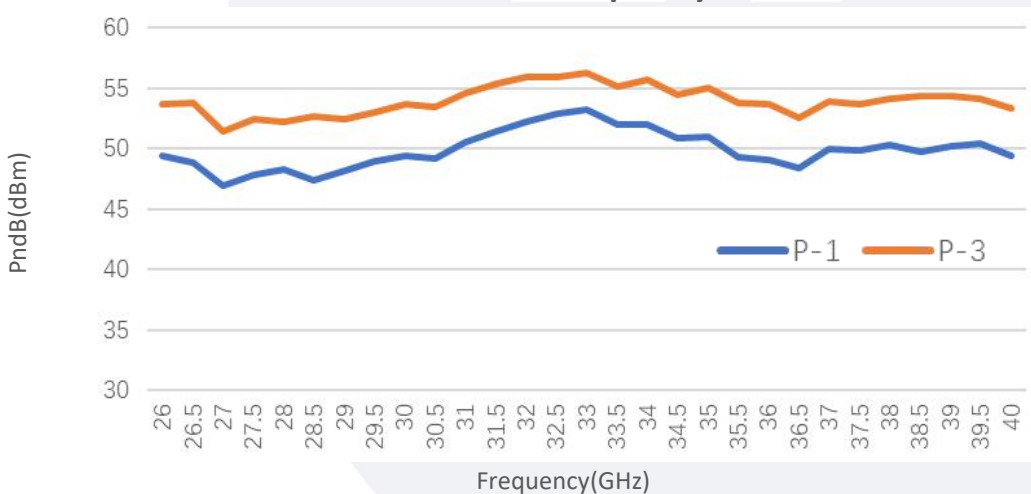
Input VSWR vs Frequency



Output VSWR vs Frequency

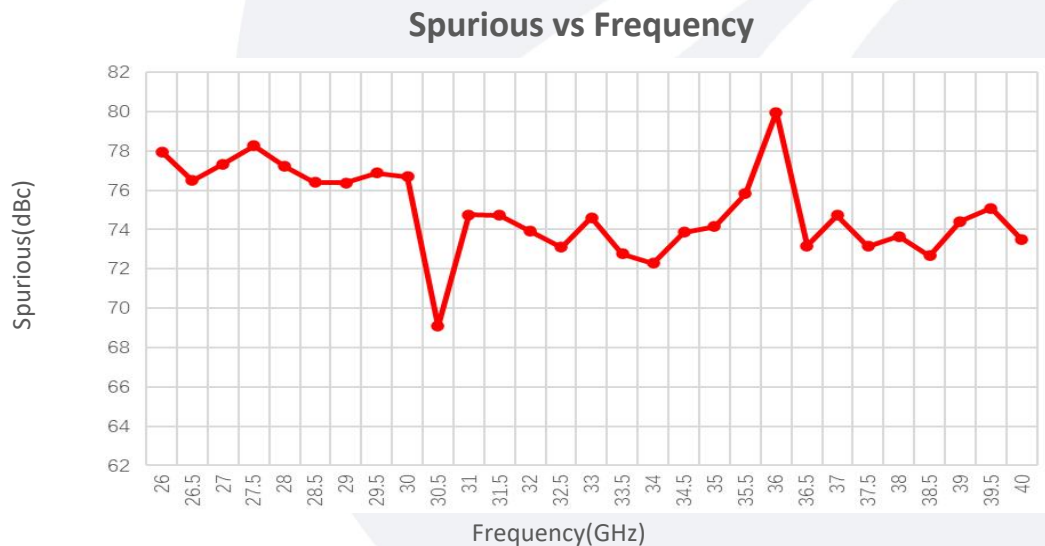
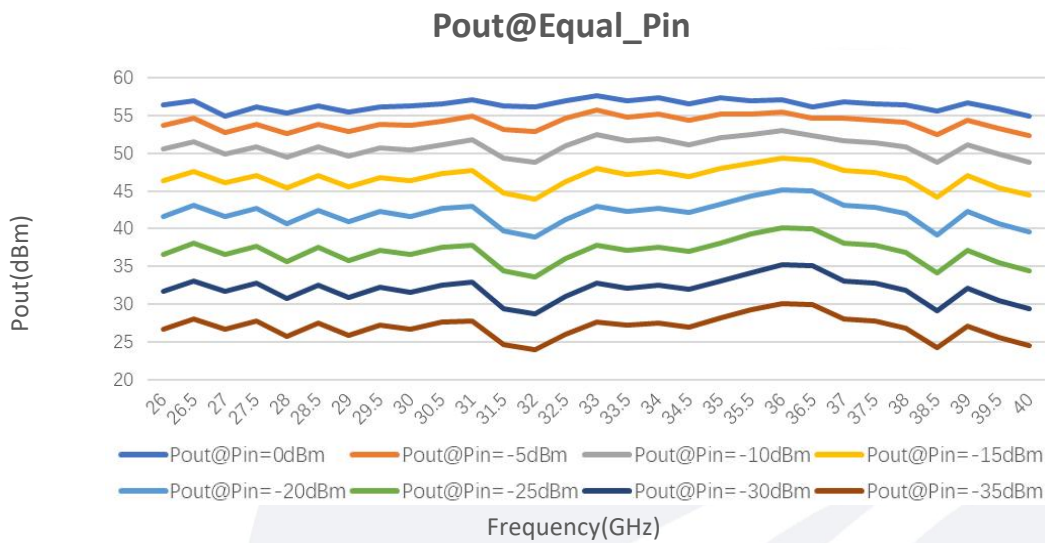
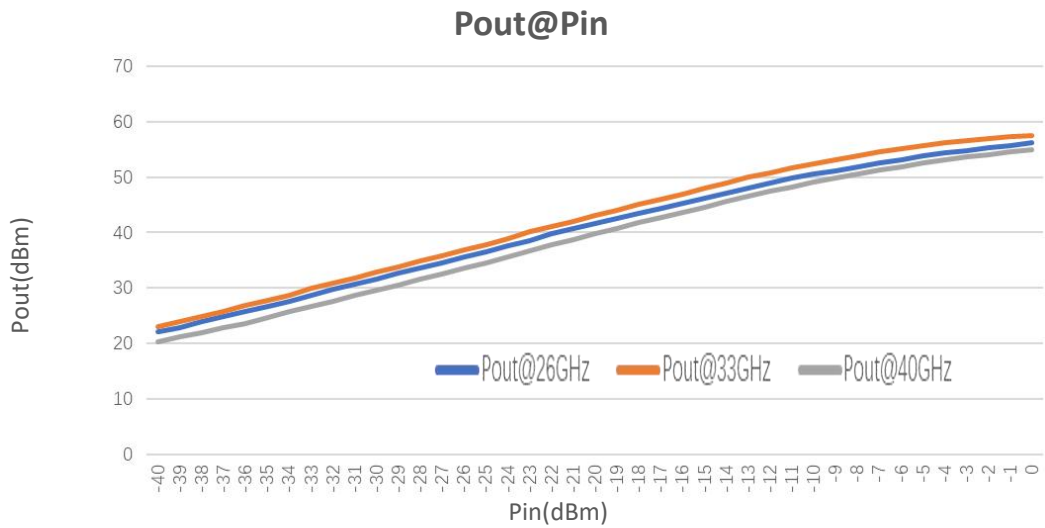


PndB vs Frequency



Note: Above data is for ref only, actual data may vary from unit to unit depending on operating environment and other factors like material lots etc.

典型曲线 Typical Performance Data:



Note: Above data is for ref only, actual data may vary from unit to unit depending on operating environment and other factors like material lots etc.