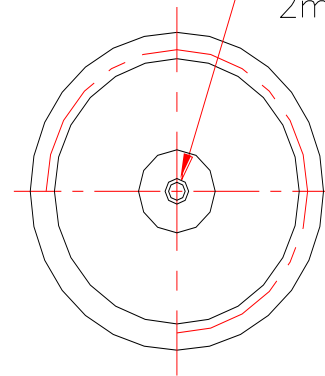


Accept $\phi 0.30\text{mm}$ (0.012") PIN
2mm(0.079")Max Depth



Electrical & Environmental Characteristics

Impedance	50 Ohm
Insulation Resistance	3000 M Ω
Operating Frequency	DC~67GHz
Dielectric Withstanding Voltage	500 V
VSWR	1.25
Insertion Loss	0.05* $\sqrt{f_{\text{GHz}}}$
Operating Temperature	-55~+165 $^{\circ}\text{C}$

Material & Coat-Plating

Inner Conductor	Beryllium Copper, Gold
Dielectric	PEI
Body	Stainless Steel, Passivated
Coupling Nut	N/A

THIS DRAWING IS A CONTROLLED DOCUMENT		DWN	Suzhou Talent Microwave, Inc				
		CHK					
Unit mm	TOLERANCES UNLESS OTHERWISE SPECIFIED 0 PLC ± 0.25 1 PLC ± 0.15 2 PLC ± 0.12 3 PLC \pm 3 PLC \pm ANGLES $\pm 1^{\circ}$	APVD	Product Mode 1.85-KFY80212 1.85 Female Connector				
		PRODUCT SPEC					
		APPLICATION SPEC					
MATERIAL SEE TABLE	FINISH SEE TABLE	WEIGHT	SIZE A4	GAGE CODE OT8L4	DRAWING NO		
		CUSTOMER DRAWING		SCALE 4: 1	SCALE 4: 1	SHEET 1 OF 1	RVE 1