

D–Band Frequency Extender 110-170GHz /WR-6.5

Model: TLSE-110170-0030-06

TLSE-110170-0330-06 frequency extenders are a dedicated Test & Measurement solution for extending the range of your signal source to 110-170 GHz.

Features:

- Frequency range: 110-170 GHz
- Output Power : 0dBm Typ
- Low power consumption

Applications:

- Frequency Extension
- Antenna measurements
- Material characterisation

Electrical Characteristics:

Parameter	Min	Typ	Max	Units
Frequency range	110		170	GHz
Output Power		0		dBm
Dynamic Range (Optional mechanical Attenuator)		30		dB
Input Frequency	9.16		14.17	GHz
Input Power	3	5	7	dBm
Multiplication Factor		12		
Harmonic Suppression		-20		dBc
Input VSWR		2		:1
Output VSWR		2		:1
power stability		±0.12		dB
Supply Voltage	100	220	240	V

Mechanical Specifications:

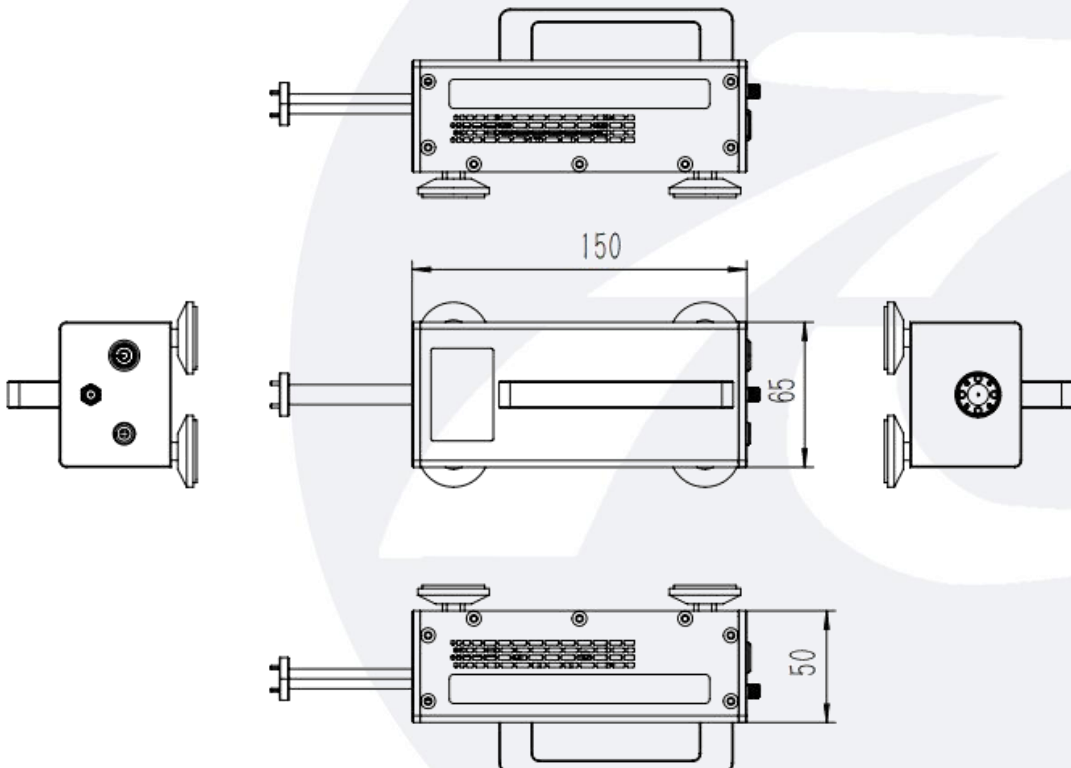
Parameter	Value	Units
Input Connector	SMA Female	
Output Connector	WR-6.5/UG-387/U	
Power Supply Pin	FGG 0B 4 Core	
Size	150*65*50	mm

Absolute Maximum Ratings:

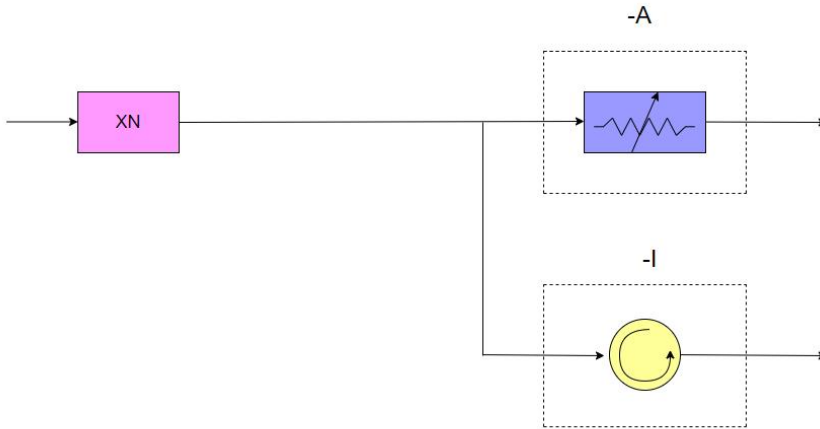
Parameter	Value
Supply Bias Voltage	+240 V AC
RF Input Power	+10 dBm
ESD sensitivity (HBm)	Class 0, passed 150V

Outline Drawing:

Unit:mm



Block Diagrams:



Environmental Conditions:

Parameter	Min	Typ	Max	Units
Operating Temperature	-10		+65	°C
Non-operating Temperature	-45		+85	°C
Relative humidity		95		%
Altitude	10,000			feet
Shock / Vibration(MIL-STD-810F)	25g rms (15 degree 2KHz) endurance, 1 hour per axis			
Shock(non operating)	20G for 11msc half sin wave,3 axis both directions			

Ordering Information:

Part Number	Description	Option		Revision
		Optional Mechanical Attenuator	Isolation	
TLSE-110170-0030-06	D-Band Frequency Extender,X12,110-170GHz, Output Power: 0dBm	-A	-I	Rev.1.2

Components Included:

Part Number	Description	Quantity
TLACTDC-22012	AC-to-DC Power Adapter	1 PCS