

Standard Gain Horn Antenna

WR-2.8/260-400GHz/25dBi Typ, Gain

Model:TL-2.8SHA25-T1

TL-2.8SHA25-T1 is a standard gain horn antenna that operates from 260 GHz to 400GHz. The antenna offers 25 dBi nominal gain. The input of this antenna is a WR-2.8 waveguide with UG-387/U-M anti-cocking flange. The standard gain horn is offered for antenna range calibration purpose mainly, but it can be also used for general purpose system set ups.

Features:

- Operating Frequency 260 to 400 GHz
- Linear Polarization
- Good Impedance Match

Applications:

- Antenna Ranges
- Antenna Gain Measurements
- System Setups

电气特性 Electrical Characteristics:

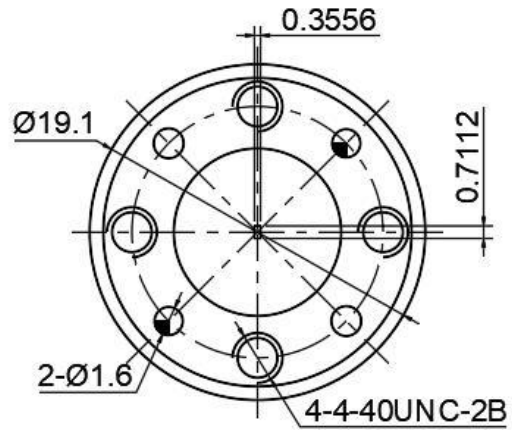
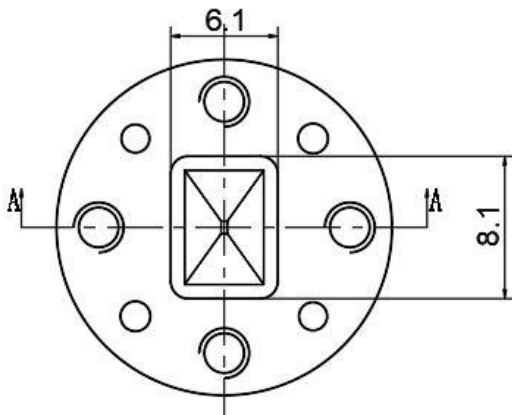
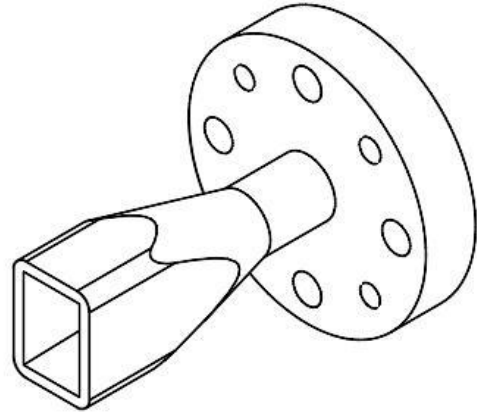
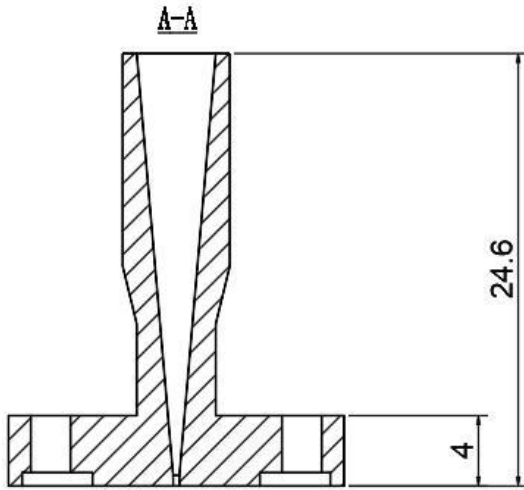
参数 Parameter	Min	Typ	Max	单位 Units
频率范围 Frequency Range	260		400	GHz
增益 Gain		25		dBi
极化方式 Polarization mode	Linear			
驻波 Input VSWR			1.15	:1
输出形式 Output mode	APF2.2			
3dB波束宽度 Antenna Beamwidth		10		°

环境和机械特性 Environmental And Physical Characteristics:

类型 Description	参数 Parameter	单位 Units
材质 Material	Brass	
接口 Connectors	WR-2.8/UG-387/U	
尺寸 Size	ø19.1*24.6	mm
重量 Weight	20	g

外形图 Outline Drawing:

Unit:mm



ESD Protection: Strictly adhere to ESD precautions to prevent electrostatic damage.

订货信息 Ordering Information:

标准型号 Base Number	描述 Description	版本号 Revision
TL-2.8SHA25-T1	Standard Gain Horn Antenna, 260-400GHz, Gain: 25dBi Typ.	Rev.1.0