

Cryogenic Coaxial Termination

DC-18GHz/SMA Male/2W

Model:TT2-18-SM-Cryo

The TT2-18-SM-Cryo is a well-matched, 50Ω male termination enabling operation from DC to 18 GHz. This termination features a 2W power rating and -20dB maximum return loss.

Features:

- Frequency range: DC to 18 GHz
- Max Power: 2W
- Capable of operation at 10 mK
- Non-Magnetic
- 50 Ohm Matched Input

Applications:

- laboratory test
- Communication equipment

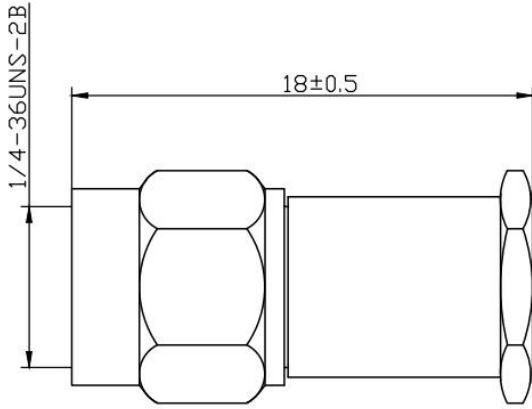
电气特性 Electrical Characteristics:

参数 Parameter	Min	Typ	Max	单位 Units
频率范围 Frequency Range	DC		18	GHz
回波损耗 Return Loss			-20	dB
耐功率 Power Handling		2		W
阻抗 Impedance		50		Ohms

环境和机械特性 Environmental And Physical Characteristics:

类型 Description	参数 Parameter	单位 Units
RF接口 RF Connector	SMA Male	
外壳材质 Case Material	OFHC Copper	
表面 Finish	Gold Plated	
电阻材料 Resistor Material	Proprietary Thin Film	

外形图 Outline Drawing: Unit:mm



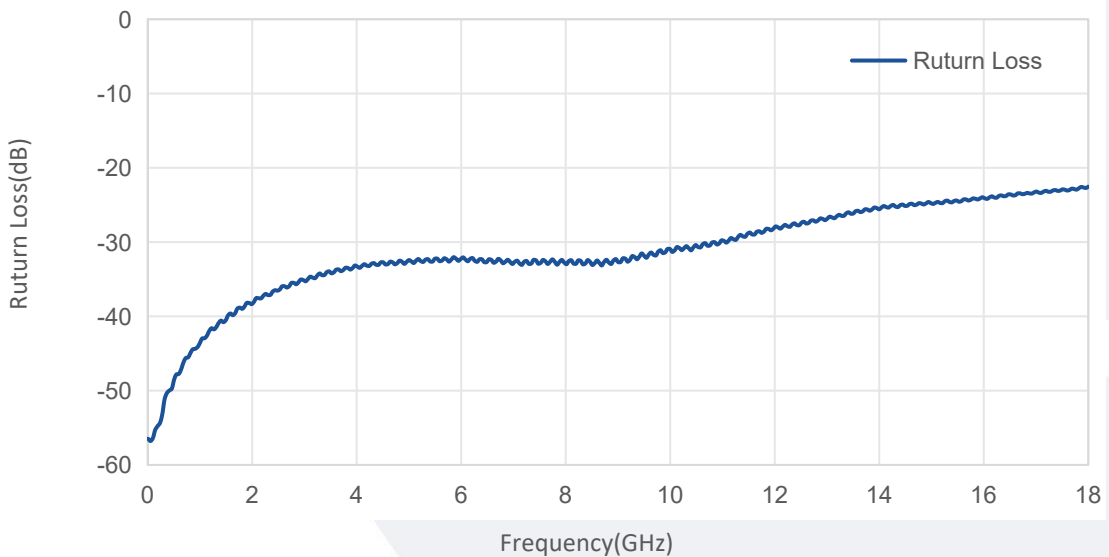
订货信息 Ordering Information:

标准型号 Base Number	描述 Description
TT2-18-SM-Cryo	DC-18GHz,2W,SMA Male Cryogenic Coaxial Termination

典型曲线 Typical Performance Data:

298K:

Return Loss vs Frequency

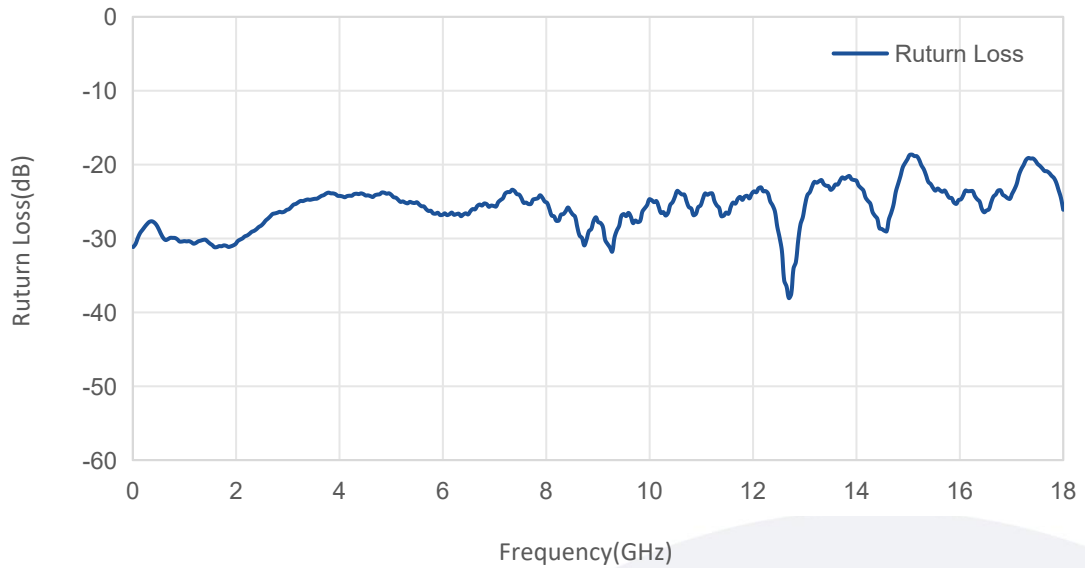


Note: Above data is for ref only, actual data may vary from unit to unit depending on operating environment and other factors like material lots etc.

典型曲线 Typical Performance Data:

77K:

Return Loss vs Frequency



Note: Above data is for ref only, actual data may vary from unit to unit depending on operating environment and other factors like material lots etc.